

YellowGate Fall Protection

Y-1



One Gate. Fits All. Stops Falls. Simplify compliance with one gate.

YellowGate's twenty inches (508 mm) of adjustability, field-reversible swing direction and universal mounting system protects every passageway, with just one fall protection product.

Simply count the number of openings where fall protection is required and place your order – no time consuming tracking of measurements or mounting types required and no costly returns due to ordering the wrong size or swing.

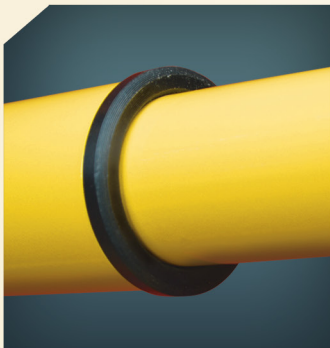
Each gate is field adjustable for both length and swing direction with a single wrench. The universal mounting system mounts to walls, angle iron and round pipe or square tube with no additional parts to order.



Each component is proudly crafted in our South Carolina facility.



▲ Parallel mount



▲ Field-adjustable length from 16" [406 mm] to 36" [914 mm].



▲ Perpendicular mount



▲ 24" [610 mm] wide platform.



▲ Universal mounting systems mounts with no additional parts to order.

Universal Mount

The universal mount's parallel and perpendicular mounting capabilities meet any installation requirement, no additional parts required.

YellowGate Fall Protection

Y-3

Patent Pending Malbec Tensioner

No spring to fail.

The Malbec Tensioner eliminates the need for a swing gate's most common failure point, the spring. The patent pending system provides field adjustable tension and maintenance free closure, every time.

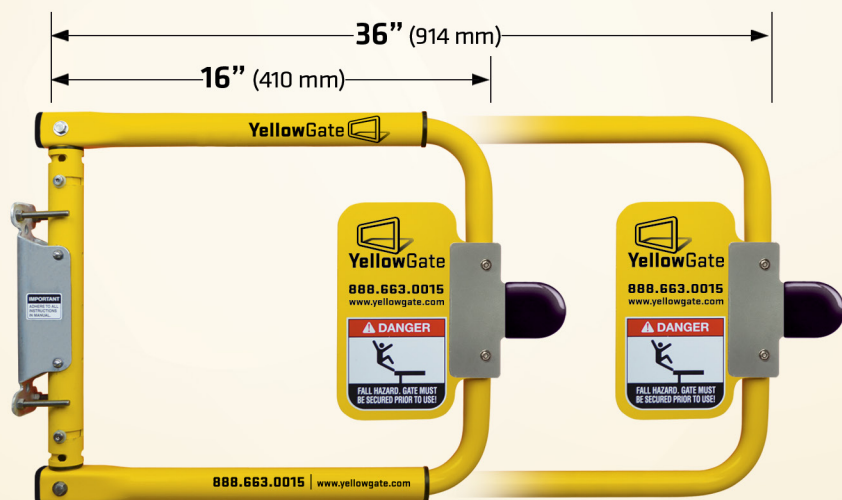
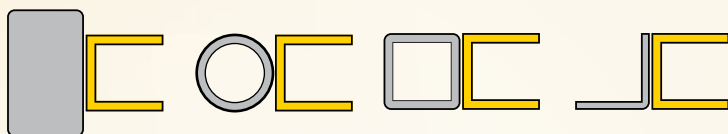
YellowGate can swing either in or out by simply relocating two bolts.



Universal Mount

Mounts anywhere, no additional parts required.

Mounts to walls, round and square tube and angle iron, with a single mount.



OSHA Regulation

1910.23 Guarding Floor & Wall Openings & Holes

(a) Protection of floor openings
(a.2) Guard ladderway floor openings or platforms like a stairway floor opening with passage through the railing either provided with a swinging gate or offset so a person cannot walk directly into the opening.

The Most Adjustable Swing Gate Available.

Easily adjusts from 16" [406 mm] wide to 36" [914 mm]

Minimum width of YellowGate unit: 16" [406 mm] in perpendicular configuration, 19.5" [495 mm] in parallel configuration.



Each component is proudly crafted in our South Carolina facility.



YellowGate XL

The Most Adjustable Barrier Gate Available

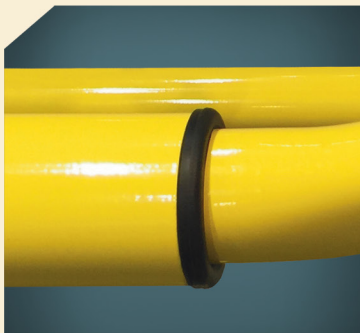
PRODUCT KEY FEATURES

- Field adjustable patent pending Malbec Tensioner
- Adjustable from 6' [1829 mm] - 12' [3658 mm], with a 42" [1067 mm] height
- Powder coated safety yellow
- Aluminum extruded, laser precision manufactured
- Maintenance free ergonomic design
- OSHA Compliant

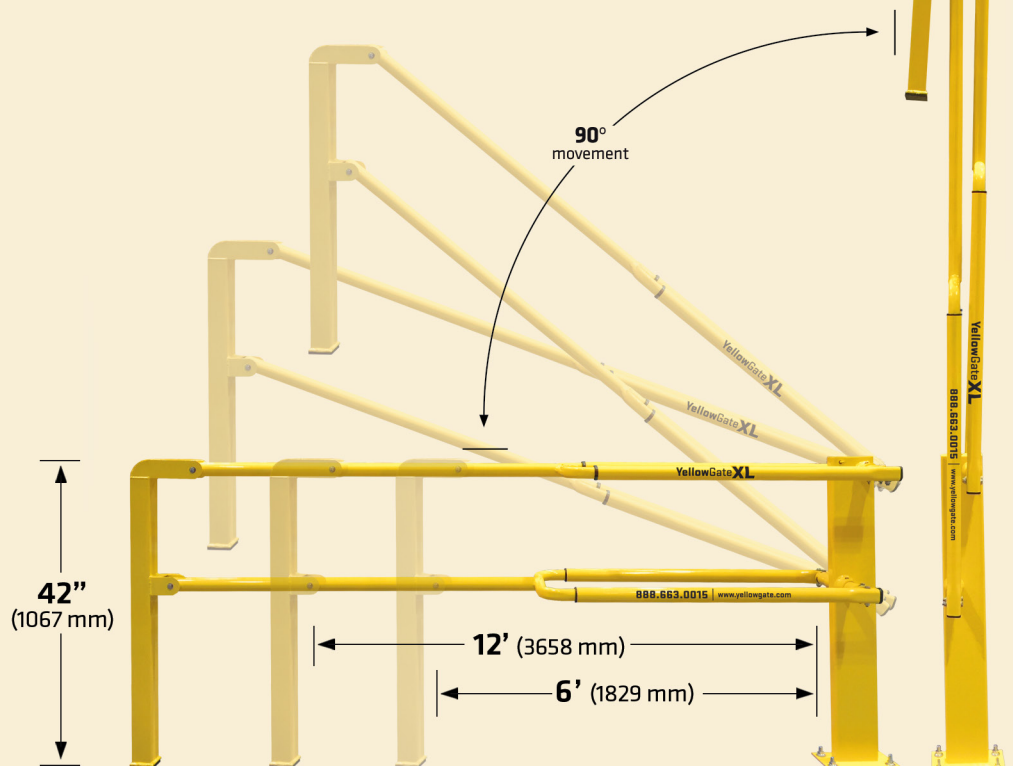


Field Adjustable

The same patent pending Malbec Tensioner system found in the YellowGate. Providing a perfect fit to any barrier gate project.



▲ Field-adjustable length from 6' [1829 mm] to 12' [3658 mm]



▲ Easily adjusts in the field from 6' [1829 mm] to 12' [3658 mm]



About Us

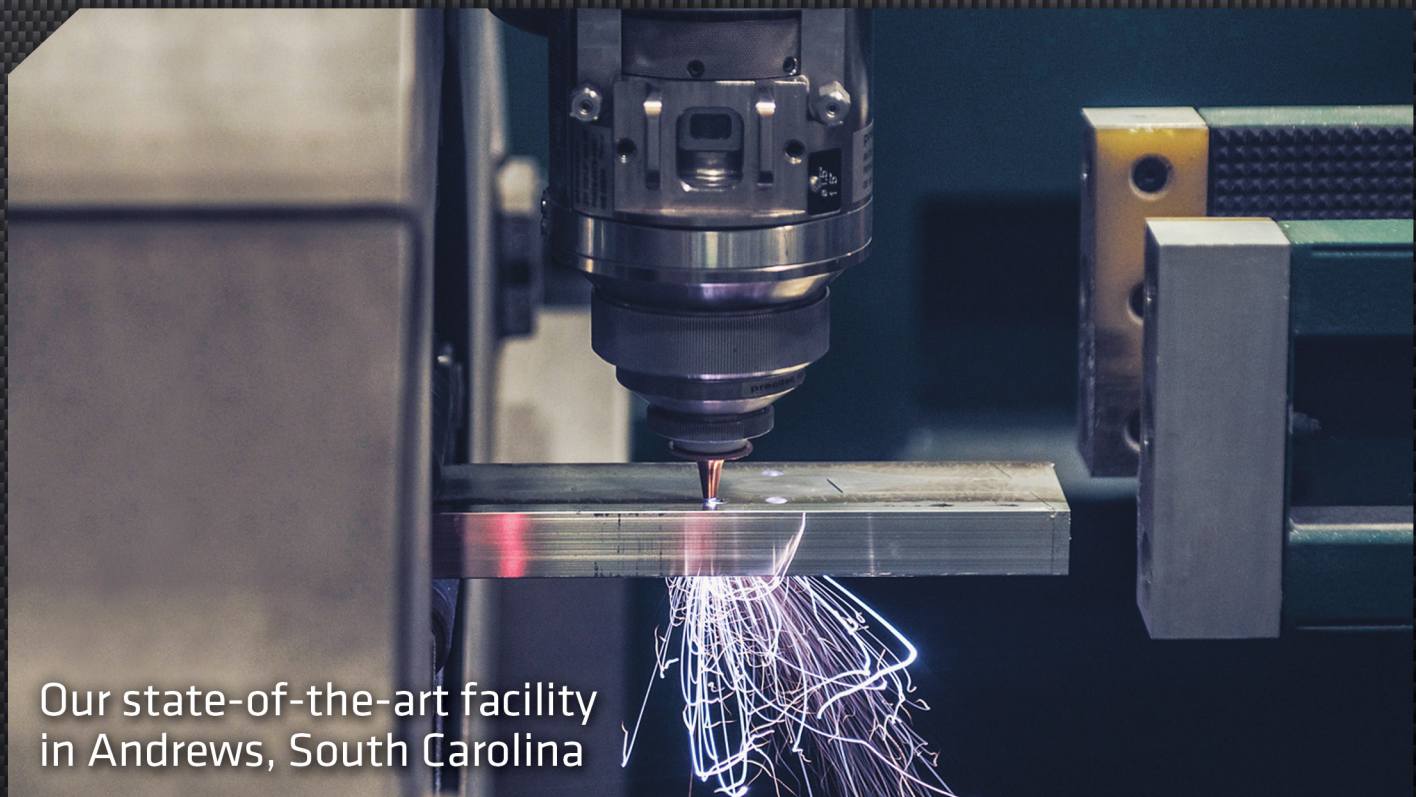
We are committed to safety, quality and customer service in both our product designs and our manufacturing ideology. Our advanced technology allows us to respond faster, reduce lead times and lower costs – without compromising quality and engineered design.

E ERECT A STEP

RollA Step

YellowGate

PERFECTA STEP



Our state-of-the-art facility
in Andrews, South Carolina