

TruckFIT 800

Vane Pump with
Integral Multi-Way Valve



Smooth performance!

40-years of experience and computer aided hydrodynamic flow makes the vane pump whisper.

The high efficiency of the TruckFIT 800 reduces fuel consumption and engine emissions by up to 50%.

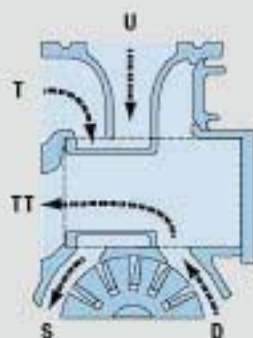
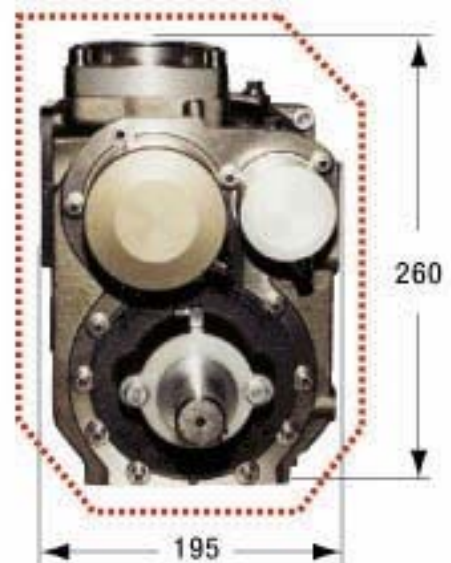
Full hose delivery at idle speed.

Fits any truck chassis frame!

VANE PUMP

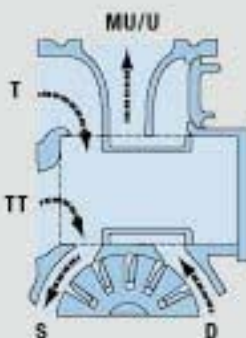
- Compact design
- Blow-down for product change
- Self-priming

Multi-way valve pneumatically operated, continuous flow control via by-pass valve.



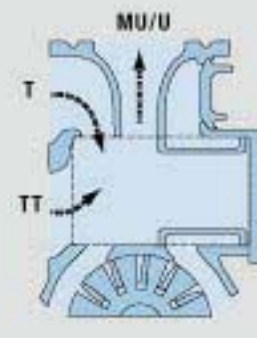
SELF-LOADING

From trailer or external tank



PUMPED DELIVERY

From tank or trailer



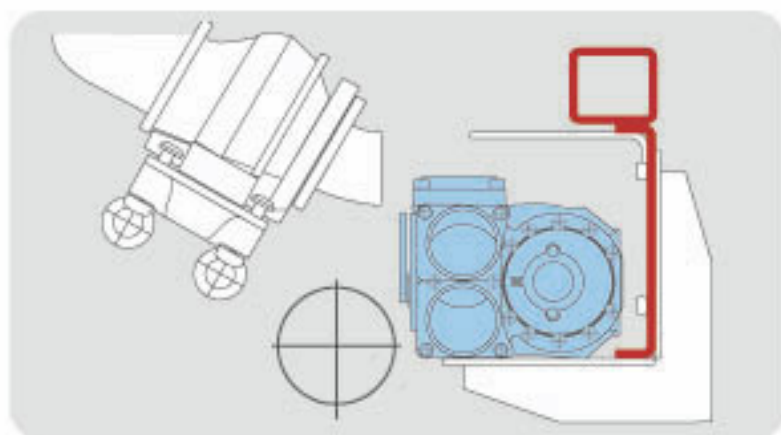
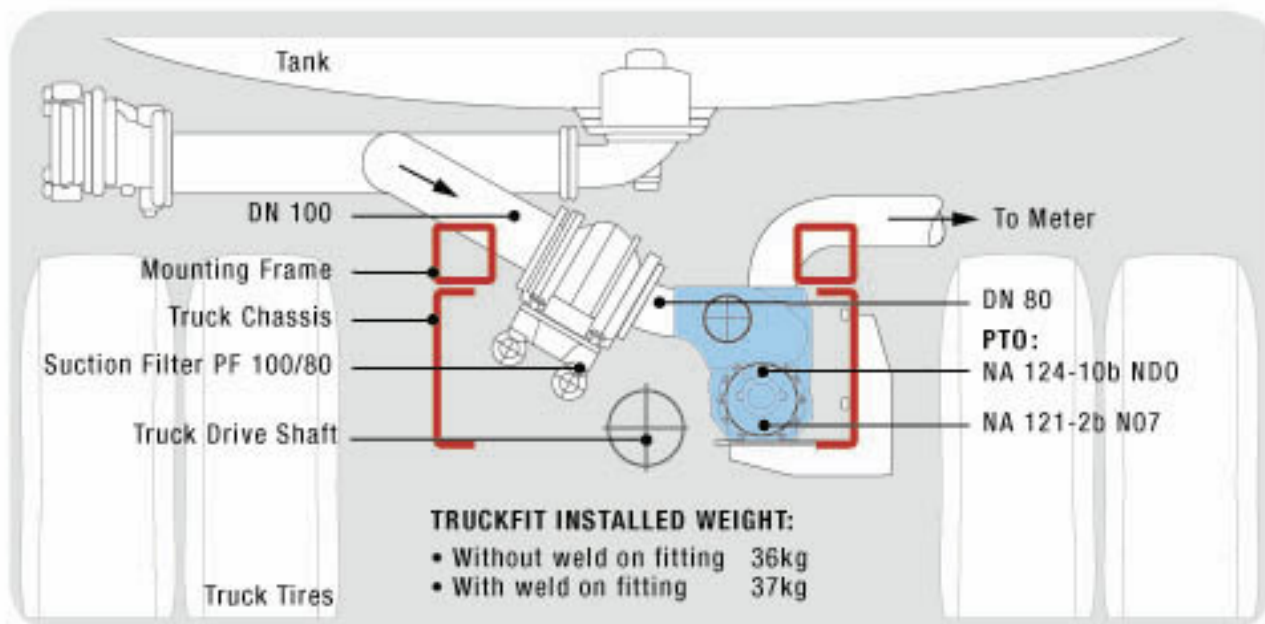
GRAVITY DISCHARGE

From tank or trailer

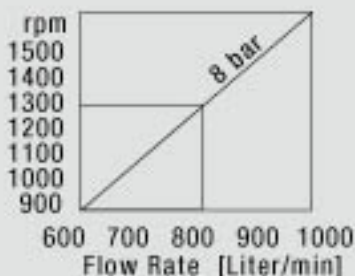
T = Trailer TT = Tank Truck MU = Measuring Unit U = Unmeasured S = Suction D = Discharge

TruckFIT 800

Vane Pump with
Integral Multi-Way Valve



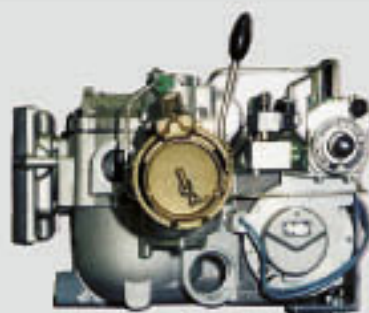
TRUCKFIT PERFORMANCE DIAGRAM



TRUCKFIT CAN ALSO OPERATE WITH MEASURING UNITS: PRECIMA 500 + 800



PRECIMA 500
• 500 l/min
Wet hose



PRECIMA 800
• 800 l/min
Wet hose
and dry hose