

Multiple cartridges **MTM/MTG series** housings

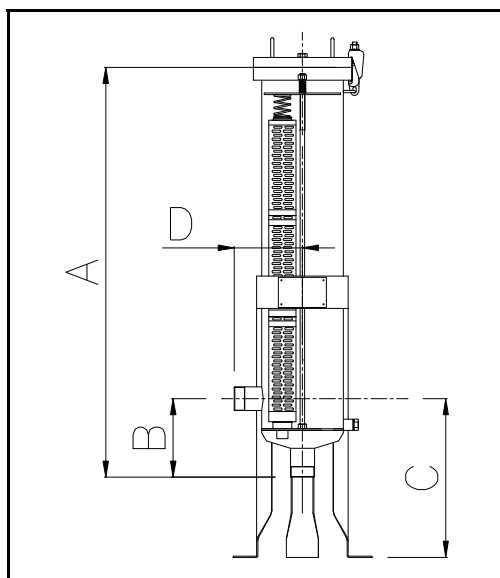
The MTM/MTG series filter housings are integrally manufactured with AISI 316L to be chemically compatible with most chemical fluids.

The particularly robust design has been adopted to withstand critical operating conditions and repeated opening-closing cycles.

With the head fitted with Rathman style clamps or swing bolts (on request), the housing is suitable to handle medium flow rates of liquids and gases.

CHARACTERISTICS

- 100% AISI 316 stainless steel construction
- Totally electropolished
- Suitable for pressures up to 20 bar (only for non hazardous liquids Gr2)
- Quick opening head, with Rathman type clamps
- Bottom outlet connection
- O-ring head/body seal
- Suitable to hold 3 to 12 cartridges stack up to 40" long
- Suitable for cartridges with DOE, M3 or M8 sealings
- Fitted with stainless steel adjustable legs



1] Dimension variable with adjustable legs' height



DIMENSIONAL DATA

SERIES	DIMENSIONS [mm]					VOLUME Liters	CONNECTIONS			WEIGH Kg	
	CARTRIDGE	A	B	C [1] min max			D	In/out	Vent		Tubesheet drain
MTM031	3 x 10"	490	185	390	150	154	8,8	1½" Gas-m	? " Gas-f	½" Gas-f	
MTM032	3 x 20"	745	185	300	390	154	14,2	1½" Gas-m	? " Gas-f	½" Gas-f	
MTM033	3 x 30"	1010	185	300	390	154	19,8	1½" Gas-m	? " Gas-f	½" Gas-f	
MTM034	3 x 40"	1275	185	300	390	154	25,5	1½" Gas-m	? " Gas-f	½" Gas-f	
MTM051	5 x 10"	500	195	470	540	170	13,2	2" Gas-m	? " Gas-f	½" Gas-f	
MTM052	5 x 20"	755	195	395	540	170	21,3	2" Gas-m	? " Gas-f	½" Gas-f	
MTM053	5 x 30"	1020	195	395	540	170	29,6	2" Gas-m	? " Gas-f	½" Gas-f	
MTM054	5 x 40"	1285	195	395	540	170	38,0	2" Gas-m	? " Gas-f	½" Gas-f	

Multiple cartridges **MTM/MTG series housings**

PRODUCT SPECIFICATION

Max operating pressure (PS)

FLUID TYPE	SERIES							
	MTM031	MTM032	MTM033	MTM034	MTM051	MTM052	MTM053	MTM054
NON HAZARDOUS LIQUID	10,5 bar 100 °C	10,5 bar 100 °C	10,5 bar 100 °C	10,5 bar 100 °C	10,5 bar 100 °C	10,5 bar 100 °C	10,5 bar 100 °C	10,5 bar 100 °C
HAZARDOUS LIQUID	10,5 bar 100 °C	10,5 bar 100 °C	10,0 bar 100 °C	7,5 bar 100 °C	10,5 bar 100 °C	9,0 bar 100 °C	6,5 bar 100 °C	5,0 bar 100 °C
NON HAZARDOUS GAS	5,5 bar 100 °C	3,5 bar 100 °C	2,5 bar 100 °C	N/A	N/A	N/A	N/A	N/A

NON HAZARDOUS LIQUID Gr. 2: PS · V < 10000
 HAZARDOUS LIQUID Gr. 1: PS · V < 200
 NON HAZARDOUS GAS Gr. 2: PS · V < 50

For pressures and temperatures above stated values or for MTM09 and MTM12 series, please contact ASCO Filtri.

The housings shown are suitable for the filtration of liquids with surface tension (TS, at the max. acceptable temperature,) < 0.5 bar above atmospheric pressure. The housings will not have the CE stamp and the CE Certificate of Conformity, as they fall within the rules of art. 3, par. 3 of the Directive 97/23/CE PED.

The use of a filter at safe pressures and temperatures depends from the filter element and seal installed, related to the processed fluids. In case of doubts, please contact ASCO Filtri to check the chemical compatibility.

Max. operating temperature

The max. operating temperature is related to the material of the o-ring gasket installed:

EPDM (Standard)	120 °C	Buna-n	120 °C
Silicone	230 °C	Viton	230 °C
FEP	260 °C	PTFE	230 °C

Construction materials

Head:	AISI 316L
Body:	AISI 316L
Bag restrainer :	AISI 316L
Rathman clamps:	Galvanised steel (Standard Supply)- AISI 316L as optional
Adjustable legs:	AISI 304 (only for MTM03 or MTM05 series)

Finishing

Internally/externally:	Electro polished (Standard)
Optional:	Pickled or mechanically polished

ORDERING INFORMATION

MT	M	01	4	S	L	01	M	-	A02
	CLOSURE TYPE	CARTRIDGES Q.TY HEIGHT		BODY MATERIAL	IN/OUT CONNECTIONS				OPTIONS
M	Rathmann	03	3 1 10"	S 316L SS	L 90°	01 1" [3]	T Gas-m		See table
G	Swing bolts	05	5 2 20"	W 304 SS [3]	A In line	1H 1½"	M Gas-f [3]		
V	V-Clamp standard	09	9 3 40"		Z Off line	02 2"	C TriClover [3]		
R	V-Clamp micro casting	12	12 4 40"		C Parallel	2H 2½" [3]	D DIN 11851 [3]		
						03 3"	F Flanged [3]		
						04 4" [3]	S B.W. [3]		

3) Available only on request.



ASCO Filtri S.r.l.

20089 ROZZANO (MI) – ITALY
 Via Silvio Pellico, 6/8
 Phone (+39) 02 89257.1
 Fax (+39) 02 89257.201
 e-mail asco@ascofiltri.com
 Web site www.ascofiltri.com