

Large Frame Reels



reelcraft.com

 **REELCRAFT**®



Hand Crank
CA32112 L

Heavy Duty Hand Crank and Motor Driven Reels



Series 30000 - Air/Water/Oil - 1/4", 1/2", 3/4", 1" I.D.

Reelcraft's Series 30000 reels are designed for rugged, heavy duty applications requiring long lengths of hose and large storage capacity. All-bolted unitized construction with no welds to fatigue, full flow swivel and heavy gauge steel frame, spool and drum ensure longest service life. Series 30000's vibration-proof, self-locking fasteners are ideal for industrial or field use such as turf care or pest control.

Note: Weights listed are for crank driven - Add for power driven, electric - all explosion proof 45 lb. (20.41 kg); 12 Volt D.C. 1/3 H.P. 30 lb. (13.61 kg); Air 6 AM 36 lb. (16.33 kg). * Note: capacity chart is reference only. For all metric thread connections over 1/2" add the suffix number 70 to indicate BSPT threads - example CA33112 M70.

	Hose I.D.	1/2" (12.70 mm)	3/4" (19.05 mm)	1" (25.40 mm)
	Hose O.D.	.854" (21.5 mm)	1.188" (30.2 mm)	1.380" (35.0 mm)
"B" Width	Weight	Hose Capacity		
6" (152 mm)	38 lb (18 kg)	100' (30 m)	50' (15 m)	N/A
12" (305 mm)	46 lb (21 kg)	200' (61 m)	100' (30 m)	N/A
18" (457 mm)	54 lb (24 kg)	325' (99 m)	175' (54 m)	100' (31 m)

Four 1/2 inch (12.7 mm) diameter mounting holes.

Model without hose & bumper	Shipping Weight lbs / kg	Pressure psi / bar	Hose I.D. in / mm	Hose O.D. in / mm	(F)NPTF Reel Outlet in	(F)NPTF Reel Inlet in	Capacity ft / m	A in / mm	B in / mm	C in / mm	D in / mm
Hand Crank Hose Reels Temperature operating range from -20° F (-29° C) to +250° F (121° C)											
CA32106 L	40 18	1000 69	1/2 13	.844 21	1/2	1/2	100 30	19 483	6 152	N/A	9 3/4 248
CA32112 L	46 21	1000 69	1/2 13	.844 21	1/2	1/2	200 61	25 635	12 305	N/A	15 3/4 400
CA32118 L	51 23	1000 69	1/2 13	.844 21	1/2	1/2	325 99	31 787	18 457	N/A	21 3/4 552
CA32122 L	65 29	1000 69	1/2 13	.844 21	1/2	1/2	400 122	35 889	22 559	N/A	25 3/4 654
CA32128 L	69 31	1000 69	1/2 13	.844 21	1/2	1/2	500 152	40 1016	27 686	N/A	30 3/4 781
CA32106 M	42 19	3000 207	1/2 13	.844 21	1/2	1/2	100 30	19 483	6 152	N/A	9 3/4 248
CA32112 M	46 21	3000 207	1/2 13	.844 21	1/2	1/2	200 61	25 635	12 305	N/A	15 3/4 400
CA33106 L	41 19	1000 69	3/4 19	1.118 28	3/4	3/4	50 15	19 483	6 152	N/A	9 3/4 248
CA33112 L	46 21	1000 69	3/4 19	1.118 28	3/4	3/4	100 30	25 635	12 305	N/A	15 3/4 400
CA33118 L	51 23	1000 69	3/4 19	1.118 28	3/4	3/4	175 53	31 787	18 457	N/A	21 3/4 552
CA33112 M	47 21	3000 207	3/4 19	1.118 28	3/4	3/4	100 30	25 635	12 305	N/A	15 3/4 400
CA33118 M	51 23	3000 207	3/4 19	1.118 28	3/4	3/4	175 53	31 787	18 457	N/A	21 3/4 552
Electric Motor Driven Hose Reels Temperature operating range from -20° F (-29° C) to +250° F (121° C)											
EA32118 L12D	68 31	1000 69	1/2 13	.845 21	1/2	1/2	325 99	N/A	18 457	29 5/8 752	21 3/4 552
EA33112 L12D	68 31	1000 69	3/4 19	1.188 30	3/4	3/4	100 30	N/A	12 305	23 5/8 600	15 3/4 400

All Series 30000 reels are supplied without hose. Assemblies quoted upon request. **CAUTION:** To prevent drum damage, fully extend and pressurize hose and rewind on the reel. **NOTE:** Many more reel models available in addition to chart. Please call manufacturer for details on models not listed.

- ✓ Adjustable spool rotation drag that eliminates hose backlash
- ✓ Nickel-plated swivel with four O-ring options: AFLAS (standard), Buna, Viton® or -EPR* seals
*Standard swivel
- ✓ All bolted construction - no welds
- ✓ Motor mounting at either end of reel
- ✓ Ball bearing swivel (excludes 1/2" low pressure models)
- ✓ Permanently lubricated dual main bearings
- ✓ Optional lock pin to prevent spool rotation when the reel is not in use, part #S600874
- ✓ Full flow shaft

Hose Installation: The Series 30000 gooseneck is easily removed from the reel for hose attachment. Simply remove the four fasteners attaching gooseneck to reel, connect hose to the gooseneck and re-connect to the reel. **NOTE:** Do not discard the O-ring; insure that the O-ring is properly fitted into the grooves when replacing the gooseneck.



Heavy Duty Large Frame Reels Nordic™ Series 1200

1" Fluid Path for 1/2" through 1" I.D. Hose

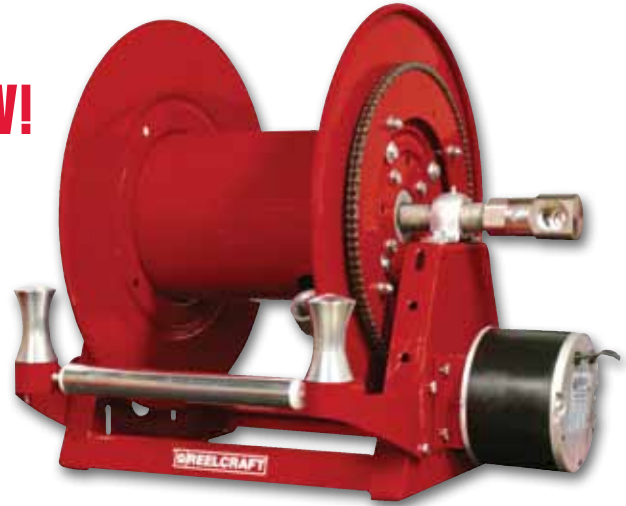
Rewind: Direct crank rewind or chain and sprocket drive powered by A.C. or D.C. electric motor, compressed air motor or hydraulic motor. Crank is not supplied on power rewind models. A pin lock assembly is optional on manual rewind reels. A 3/8" pitch chain is standard.

Inlet: 1/2" up to 1" female/male NPT 90° swivel joint. Straight swivel joint may be specified at extra cost.

Gooseneck: 1/2", 3/4", 1" female NPT. Other sizes and/or threads, including garden hose thread, can be furnished when specified.

The standard color for this series is red.

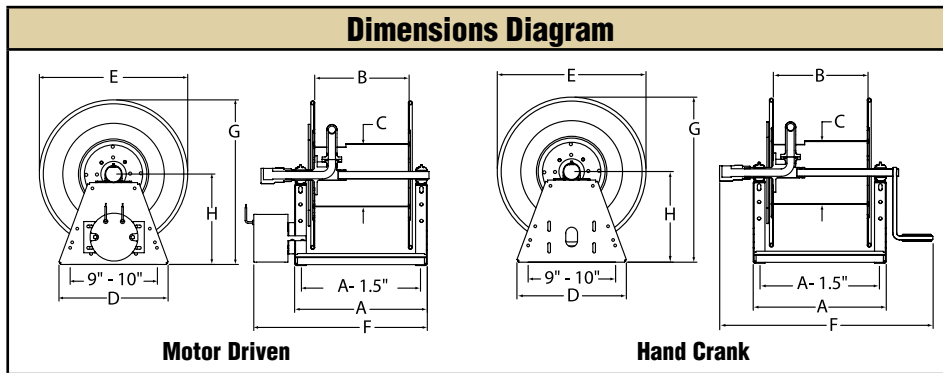
NEW!



Nordic Series 1200

Shown with optional three-way roller bracket.

Nonexplosion-proof motor is standard "E" (pictured). Explosion proof (EP) motor is available upon request.



Made in USA

Product temperatures range from -20° to +225°F and standard pressures to 3000 PSI. Other temperatures or pressures can be furnished at extra cost; consult manufacturer.

Hose I.D.		in	1/2	3/4	1	Specification - Hose Capacity and Reel Dimensions														
Hose O.D.		in	0.845	1.18	1.4	KEY: CRK = hand crank; "E" = nonexplosion-proof electric motor; EP = explosion-proof motor; AIR = air motor; BEVEL = bevel crank														
		mm	21.5	30	35.6	Weight Crank*	Weight Motor*	Weight Bevel*	A	B	C	D	E	F CRK	F "E"	F EP	F AIR	F BEVEL	G	H
1200-19-6	ft	100	50	35	41 LB	58 LB	48 LB	in	11	6	8	14	19	22	16.5	18.5	16	22	21.1	11.6
	m	30	15	11	19 KG	26 KG	22 KG	mm	279	152	203	356	483	559	419	470	406	559	536	295
1200-19-12	ft	200	100	70	43 LB	60 LB	50 LB	in	17	12	8	14	19	28	22.5	24.5	22	28	21.1	11.6
	m	61	30	21	20 KG	27 KG	23 KG	mm	432	305	203	356	483	711	572	622	559	711	536	295
1200-19-18	ft	300	150	105	44 LB	61 LB	51 LB	in	23	18	8	14	19	34	28.5	30.5	28	34	21.1	11.6
	m	91	46	32	20 KG	28 KG	23 KG	mm	584	457	203	356	483	864	724	775	711	864	536	295
1200-19-22	ft	365	180	125	45 LB	62 LB	52 LB	in	27	22	8	14	19	38	32.5	34.5	32	38	21.1	11.6
	m	111	55	38	20 KG	28 KG	24 KG	mm	686	559	203	356	483	965	826	876	813	965	536	295
1200-19-28	ft	465	230	160	46 LB	63 LB	53 LB	in	33	28	8	14	19	44	38.5	40.5	38	44	21.1	11.6
	m	142	70	49	21 KG	29 KG	24 KG	mm	838	711	203	356	483	1118	978	1029	965	1118	536	295
1200-23-6	ft	150	75	50	49 LB	66 LB	56 LB	in	11	6	11.25	15.25	23	22	16.5	18.5	16	22	25.1	13.6
	m	46	23	15	22 KG	30 KG	25 KG	mm	279	152	286	387	584	559	419	470	406	559	638	345
1200-23-12	ft	300	150	100	51 LB	68 LB	58 LB	in	17	12	11.25	15.25	23	28	22.5	24.5	22	28	25.1	13.6
	m	91	46	30	23 KG	31 KG	26 KG	mm	432	305	286	387	584	711	572	622	559	711	638	345
1200-23-18	ft	450	225	150	52 LB	69 LB	59 LB	in	23	18	11.25	15.25	23	34	28.5	30.5	28	34	25.1	13.6
	m	137	69	46	24 KG	31 KG	27 KG	mm	584	457	286	387	584	864	724	775	711	864	638	345
1200-23-22	ft	550	275	180	53 LB	70 LB	60 LB	in	27	22	11.25	15.25	23	38	32.5	34.5	32	38	25.1	13.6
	m	168	84	55	24 KG	32 KG	27 KG	mm	686	559	286	387	584	965	826	876	813	965	638	345
1200-23-28	ft	700	350	230	54 LB	71 LB	61 LB	in	33	28	11.25	15.25	23	44	38.5	40.5	38	44	25.1	13.6
	m	213	107	70	24 KG	32 KG	28 KG	mm	838	711	286	387	584	1118	978	1029	965	1118	638	345

*Estimated weight on carbon steel frame. Refer to page 4 to build a complete model number.

Large Frame Reels | Nordic Heavy Duty Solutions

Reelcraft's Engineered Product Solutions

Full Flow Design

The goose neck is contoured to match the drum diameter, which allows smooth hose wrapping and unimpeded flow.

Long Service Life

Swivel incorporates a permanently lubricated ball bearing.

Adjustable Hose Tension

The brake can be adjusted to suit the application requirements.

Trouble-Free Rewinding

Chain and sprocket drive ensures smooth and consistent operation.

Meets or Exceeds Military Vibration for Truck Transport test.

MIL-STD-810F
500,000 mile equivalent

Long Service Life

The spool axial is supported by independent self-aligning bearing.

Free Rotation While Pressurized

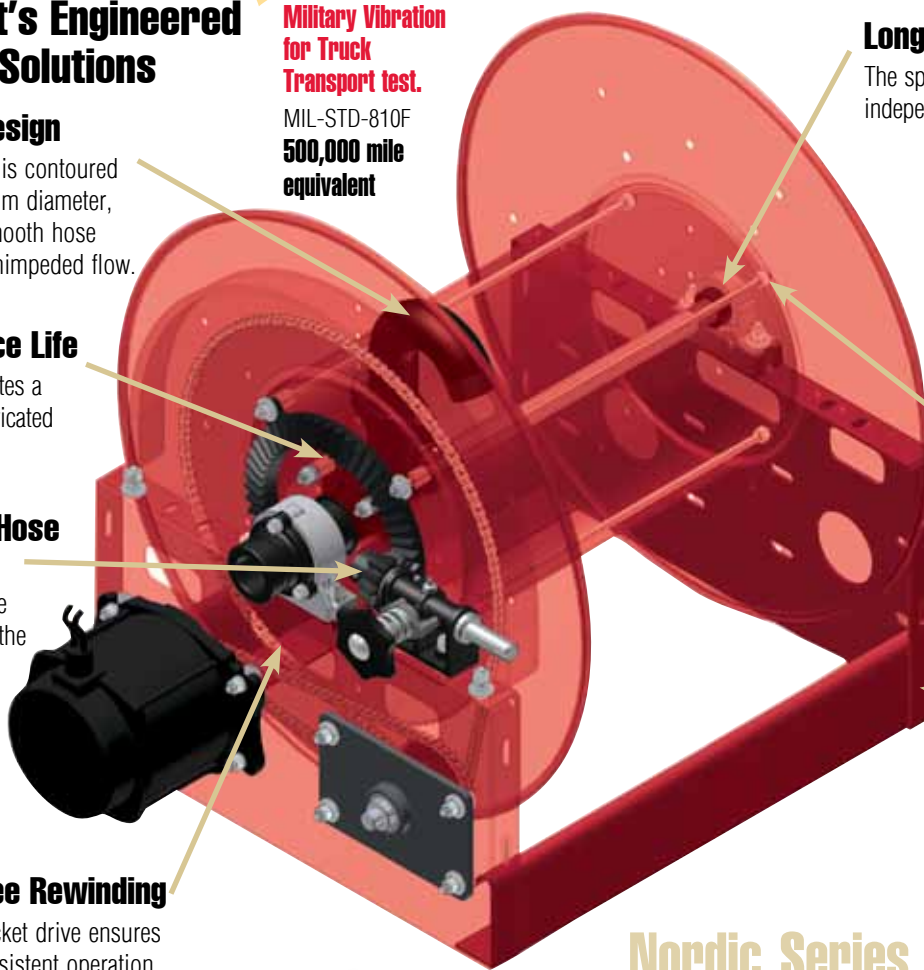
The swing joint and spindle allows reel to freely rotate while fluid is pressurized.

Precise Rigid Construction

Proprietary unitized tie rods are zinc plated offering greater strength and resistance to vibration and corrosion.

Ultimate Corrosion Resistance

Individually powder coated components insure maximum coverage and resistance to corrosion. Stainless steel fasteners are standard.



Nordic Series

Drive Options	Series	Head Dia.	Drum Length	Thread Size	Inlet/Outlet Thread	Thread Style	Fluid Path Material	Pressure	Inlet Style	Fluid Path Location/Direction	Color Code
E 12 VDC	1200	19	6"-36" in 2" increments	50 1/2"	FM Female In/ Male Out	NP NPT	A Aluminum	LP 0-600	1 Straight	1 Left Hand Top Wind	R Red
NJ 24 VDC	2400	21		75 3/4"							
EP *12 VDC Exp	3900	23		10 1"	MF Male In/ Female Out	BT BSPT	S Stainless	3K 1000-3000	5 1" LPG	3 Right Hand Top Wind	W White
EA *115 VAC Exp	3700	25		12 1 1/4"							
EX *230 VAC Exp	5900	28		15 1 1/2"	VM Victaulic In/ Male Out			6K 5001-6000			S Silver
EJ *24 VDC Exp		31		20 2"							
HD Hydraulic		36		25 2 1/2"				15K 15,000			
AF 1 1/2 HP Air		39		30 3"							
AR 4 HP Air		46		40 4"							
BC Bevel Crank											
HC Hand Crank											
S Storage											
CR Cable Reel											
*Exp=Explosion proof motor											
Material Options/ Drive Size											
1/2" Pitch Chain	###5										
5/8" Pitch Chain	###6										
3/4" Pitch Chain	###7										
Gear Driven	###9										
Alum. Frame/Spool	###5#										
304 S.S. Frame/Spool	###9#										
316 S.S. Frame/Spool	###8#										
Sewer Cleaning Reel	###15										
Twin Hose	###1T										

Additional Options
Idler
Chain Guard
Roller Bracket (Top)
Roller Bracket (Bottom)
Inboard Motor
Brake
Auxiliary Bevel Crank
Hose Boss (Guide)
Junction Box
Explosion Proof Switch
Solenoid
Circuit Breaker
Control Valve

Part No. Example: EP3900-23-28-15FFNPALP21-R00
 EP(12VDC Electric Explosion Proof Motor)
 3900(Series 3900 Hose Reel)
 -23(23" Head Dia.) -28(28" Drum Length)
 -15(1-1/2" Thread Size) FF(Female In/Out Thread Type)
 NP(NPT Thread Style) A(Aluminum Fluid Path)
 LP(0-600 PSI) 2(90° Inlet)
 1(Left Hand Top Wind Fluid Path Location/Direction)
 R(Red)

NOTE: Not all options available in every combination. Please contact manufacturer for price and availability.

Heavy Duty Large Frame Reels Nordic Series 2400

1/2", 3/4" or 1" Fluid Path for 1/2" through 1" I.D. Hose

Rewind: Gear-drive rewind (new) or chain and sprocket drive powered by A.C. or D.C. electric motor, compressed air motor or hydraulic motor.

Inlet: 1/2" up to 1" female/male NPT 90° swivel joint. Straight swivel joint may be specified at extra cost.

Gooseneck: 1/2" up to 1" female/male NPT. Other sizes and/or threads, including male NST and male garden hose thread, can be furnished when specified.

Product temperatures from -20° to +225°F and standard pressures to 3000 p.s.i. Reels to operate at other temperatures or pressures can be furnished at extra cost, consult manufacturer. The standard color for this series is red or gray. ADD 12" to E dimension when crank is in rewind position.

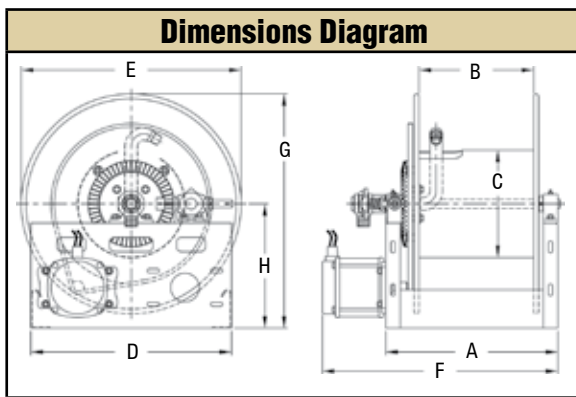
NEW!
Gear drive
option



**1/2" pitch chain
now standard**

Shown with optional
bevel crank.

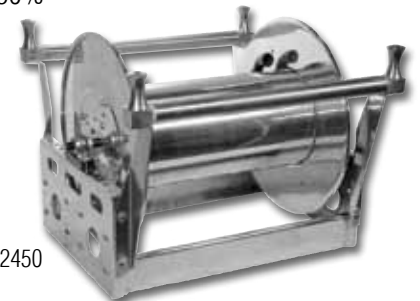
**Made
in USA**



Fire Service / Booster Reels

The **aluminum Series 2450** reel for booster hose is corrosion-resistant and weighs up to 50% less than standard steel booster reels. Features include an aluminum spool and frame assembly, plated steel fluid path and plated sprocket and fasteners. **No painting or finishing is required.**

Nordic Series 2450



Hose I.D.	in mm	1/2	3/4	1	Specification - Hose Capacity and Reel Dimensions															
		13	19	25	KEY: CRK = hand crank; ELC = electric motor; HYD = hydraulic motor; AIR = air moter															
Hose O.D.	in mm	.875	1.281	1.563																
	mm	22	33	40																
Model	Hose Length (other std. lengths available)				Est. Weight	A	B	C	D	E CRK	E ELC	E AIR	E HYD	F CRK	F ELC	F AIR	F HYD	G	H	
	ft	m	ft	m																ft
2400-19-16	ft	200	100	50	70 LB	in	22	16	11.25	21	21	21	21	26	29	28	28	22.5	13	
	m	61	30	15	32 KG	mm	559	406	286	533	533	533	533	660	737	711	711	572	330	
2400-23-14	ft	315	150	100	74 LB	in	20	14	11.25	21	23	23	24	23	24	27	26	26	24.5	13
	m	96	46	30	34 KG	mm	508	356	286	533	584	584	584	610	686	660	660	622	330	
2400-23-18	ft	485	240	150	78 LB	in	24	18	11.25	21	23	23	23	28	31	30	30	24.5	13	
	m	148	73	46	35 KG	mm	610	457	286	533	584	584	584	711	787	762	762	622	330	
2400-23-20	ft	535	260	165	80 LB	in	26	20	11.25	21	23	23	23	30	33	32	32	24.5	13	
	m	163	79	50	36 KG	mm	660	508	286	533	584	584	584	762	838	813	813	622	330	
2400-23-24	ft	625	300	200	84 LB	in	30	24	11.25	21	23	23	23	34	37	36	36	24.5	13	
	m	191	91	61	38 KG	mm	762	610	286	533	584	584	584	864	940	914	914	622	330	
2400-25-8	ft	235	125	60	72 LB	in	14	8	11.25	21	25	25	25	18	21	20	20	26.5	14	
	m	72	38	18	33 KG	mm	356	203	286	533	635	635	635	457	533	508	508	673	356	
2400-25-14	ft	450	225	110	74 LB	in	20	14	11.25	21	25	25	25	24	27	26	26	26.5	14	
	m	137	69	34	34 KG	mm	508	356	286	533	635	635	635	610	686	660	660	673	356	
2400-31-8	ft	435	185	125	74 LB	in	14	8	11.25	24	31	31	31	18	21	20	20	32.5	17	
	m	133	56	38	34 KG	mm	356	203	286	610	787	787	787	457	533	508	508	826	432	
2400-31-10	ft	540	235	165	76 LB	in	16	10	11.25	24	31	31	31	20	23	22	22	32.5	17	
	m	165	72	50	34 KG	mm	406	254	286	610	787	787	787	508	584	559	559	826	432	
2400-31-16	ft	900	400	300	80 LB	in	22	16	11.25	24	31	31	31	26	29	28	28	32.5	17	
	m	274	122	91	36 KG	mm	559	406	286	610	787	787	787	660	737	711	711	826	432	

Refer to page 4 to build a complete model number. Refer to chart on page 7 for weight adders.

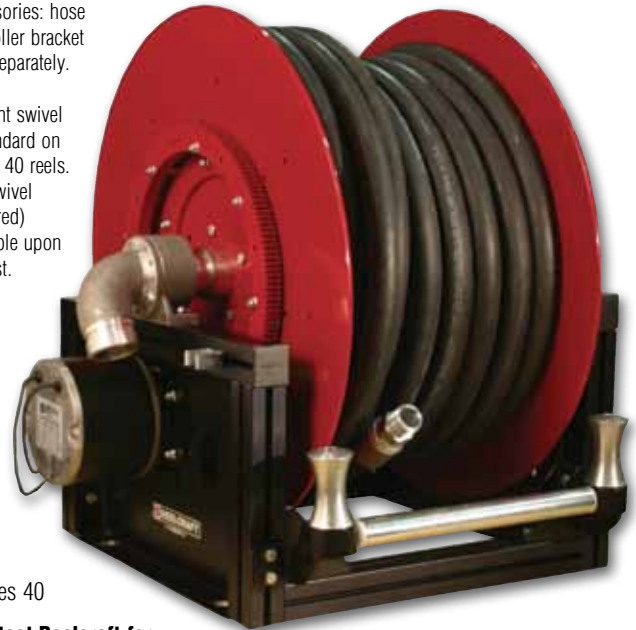
Modular Large Frame Reels Series 40 - 1", 1¼", 1½" I.D.

Flexible Configurations

- ✓ Standard straight ball bearing swivel joint with female NPT threads and 2" victaulic groove. 90° swivel available, no extra charge.
- ✓ Hand crank, bevel crank, 12 VDC gear and chain drive rewind.
- ✓ Also available as standard, explosion proof 12VDC, 115 AC, hydraulic and pneumatic motor.
- ✓ Powder coated steel flanges included, aluminum also available as standard.
- ✓ Open spool spacer allows for easy access to reversible goose neck and open spool design allows for hose flexing under pressure without spool distortion.
- ✓ Plumbing and motor shown on left side; however, any configuration is available as a standard order.
- ✓ Standard colors are powder coat red with black frame. Other colors available upon request.
- ✓ Max pressure: 600 psi. Standard seals maximum temperature 174° F (79° C) and minimum temperature -20° F (-29° C). Extreme temperature seals maximum temperature 400° F (204° C) and minimum temperature -50° F (-45° C).
- ✓ Chain/gear guard is a recommended option, sold separately.

Shown with optional accessories: hose and roller bracket sold separately.

Straight swivel is standard on Series 40 reels. 90° swivel (pictured) available upon request.



Series 40

Contact Reelcraft for guard, switch and roller brackets.

Made in USA 

Also available in standard drive types:

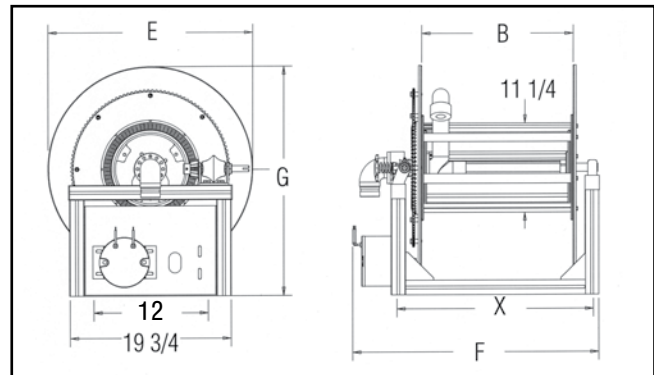
Explosion proof
12VDC
24VDC
115VAC

Pneumatic Motor
Hydraulic Motor
Auxiliary Bevel Crank

Part Number Options

4□1131□□1LC
Hose ID:
1 = 1" hose
2 = 1 ¼" hose
3 = 1 ½" hose

Drive Type:
CG = Hand Crank
BG = Bevel Crank (only)
DH = 12VDC, Gear Drive
EH = 12VDC, Chain Drive



Hose Capacity	Series 41		Series 42		Series 43		Dimensions											
	in / mm		in / mm		in / mm		B		E		F Bevel		F Electric		G		X	
Hose I.D.	1	25	1¼	32	1½	38	in / mm		in / mm		in / mm		in / mm		in / mm		in / mm	
Hose O.D.	1.563	40	1.813	46	2.063	52	KEY: Bevel = bevel crank; Electric = electric motor											
Model	Hose Length						B		E		F Bevel		F Electric		G		X	
	ft / m		ft / m		ft / m		in / mm		in / mm		in / mm		in / mm		in / mm		in / mm	
A4□1131□□1LC	80	24	50	15	---	---	13	330	21	533	23.75	603	25.75	654	24	610	18.75	476
A4□2081□□1LC	80	24	50	15	---	---	8	203	25	635	17.75	451	19.75	502	26	660	13.75	349
A4□1171□□1LC	100	30	80	24	50	15	17	432	21	533	26.75	679	28.75	730	24	610	22.75	578
A4□2101□□1LC	100	30	80	24	50	15	10	254	25	635	19.75	502	21.75	552	26	660	15.75	400
A4□1321□□1LC	200	61	150	46	100	30	32	813	21	533	41.75	1060	43.75	1111	24	610	37.75	959
A4□2191□□1LC	200	61	150	46	100	30	19	483	25	635	28.75	730	30.75	781	26	660	24.75	629
A4□3131□□1LC	200	61	150	46	100	30	13	330	28	711	26.75	679	28.75	730	30	762	18.75	476
A4□3221□□1LC	325	99	250	76	200	61	22	559	28	711	31.75	806	33.75	857	29	737	27.75	705
A4□4171□□1LC	350	107	275	84	200	61	17	432	31	787	26.75	679	28.75	730	34	864	22.75	578

Verify application dimensions and weight requirements prior to ordering. **Installation Note:** For the warranty to be valid, a flexible connector MUST be used between the swivel and the inlet piping.

Heavy Duty Large Frame Reels Nordic Series 3900

1½" Fluid Path for 1" through 1½" I.D. Hose

Rewind: Gear-drive rewind (new) or chain and sprocket drive powered by A.C. or D.C. electric motor, compressed air motor or hydraulic motor.

Inlet: 2" straight victaulic with 1½" female NPT straight swivel joint is standard. 2" victaulic 90° with 1½" NPT female available at extra cost.

Gooseneck: 1", 1¼" and 1½" female/male NPT outlet. Other sizes and/or threads can be furnished and must be specified.

ADD 12" to E dimension when crank is in rewind position.
The standard color for this series is red or gray.

NEW!
Gear drive option

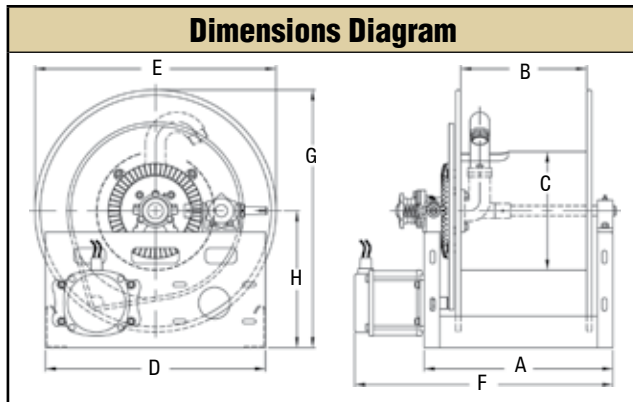
1/2" pitch chain now standard

Shown with optional bevel crank.



Made in USA

Standard seals maximum temperature 174° F (79° C) and minimum temperature -20° F (-29° C). Extreme temperature seals maximum temperature 400° F (204° C) and minimum temperature -50° F (-45° C) and standard pressures to 600 PSI. Other temperatures or pressures can be furnished at extra cost, consult manufacturer.



Note: Weights shown in chart are for crank rewind models.	Prefix	Type	LB / KG
	EP	Electric	42 / 19
Add these amounts and model number prefix for power rewind models.	A	Air	26 / 12
	H	Hyd	26 / 12

Hose I.D.	in mm	1	1 1/4	1 3/8	1 1/2	Specification - Hose Capacity and Reel Dimensions																			
		25	32	35	38	KEY: CRK = hand crank; ELC = electric motor; HYD = hydraulic motor; AIR = air moter																			
Hose O.D.	in mm	1.563	1.813	2.000	2.063	Model	Hose Length				Est. Weight	A	B	C	D	E CRK	E ELC	E AIR	E HYD	F CRK	F ELC	F AIR	F HYD	G	H
		40	46	51	52																				
3900-19-16	ft	55	45	45	40	90 LB	in	22	16	11.25	21	21	21	21	21	21	21	21	26	29	28	28	22.5	13	
	m	17	14	14	12	41 KG	mm	559	406	286	533	533	533	533	533	533	533	533	660	737	711	711	572	330	
3900-19-20	ft	70	65	60	55	93 LB	in	26	20	11.25	21	21	21	21	21	21	21	21	30	32	32	32	22.5	13	
	m	21	20	18	17	42 KG	mm	660	508	286	533	533	533	533	533	533	533	533	762	838	813	813	572	330	
3900-23-12	ft	95	60	55	50	87 LB	in	18	12	11.25	21	23	23	23	23	23	23	23	22	25	24	24	24.5	13	
	m	29	18	17	15	39 KG	mm	457	305	286	533	584	584	584	584	584	584	584	559	635	610	610	622	330	
3900-23-18	ft	155	90	90	80	93 LB	in	24	18	11.25	21	23	23	23	23	23	23	23	28	31	30	30	24.5	13	
	m	47	27	27	24	42 KG	mm	610	457	286	533	584	584	584	584	584	584	584	711	787	762	762	622	330	
3900-23-20	ft	165	105	100	95	95 LB	in	26	20	11.25	21	23	23	23	23	23	23	23	30	33	32	32	24.5	13	
	m	50	32	30	29	42 KG	mm	660	508	286	533	584	584	584	584	584	584	584	762	838	813	813	622	330	
3900-23-26	ft	220	120	110	105	100 LB	in	32	26	11.25	21	23	23	23	23	23	23	23	36	39	38	38	24.5	13	
	m	67	37	34	32	45 KG	mm	813	660	286	533	584	584	584	584	584	584	584	914	991	965	965	622	330	
3900-23-28	ft	240	145	140	135	103 LB	in	34	28	11.25	21	23	23	23	23	23	23	23	38	41	40	40	24.5	13	
	m	73	44	43	41	47 KG	mm	864	711	286	533	584	584	584	584	584	584	584	965	1041	1016	1016	622	330	
3900-23-36	ft	320	190	180	175	111 LB	in	42	36	11.25	21	23	23	23	23	23	23	23	46	49	48	48	24.5	13	
	m	98	58	55	53	50 KG	mm	1067	914	286	533	584	584	584	584	584	584	584	1168	1245	1219	1219	622	330	
3900-25-12	ft	95	85	55	50	89 LB	in	18	12	11.25	21	25	25	25	25	25	25	25	22	25	24	24	26.5	14	
	m	29	26	17	15	40 KG	mm	457	305	286	533	635	635	635	635	635	635	635	559	635	610	610	673	356	
3900-25-20	ft	165	155	100	95	97 LB	in	26	20	11.25	21	25	25	25	25	25	25	25	30	33	32	32	26.5	14	
	m	50	47	30	29	44 KG	mm	660	508	286	533	635	635	635	635	635	635	635	762	838	813	813	673	356	
3900-31-12	ft	210	155	115	105	92 LB	in	18	12	11.25	24	31	31	31	31	31	31	31	22	25	24	24	32.5	17	
	m	64	47	35	32	42 KG	mm	457	305	286	610	787	787	787	787	787	787	787	559	635	610	610	826	432	
3900-31-16	ft	305	205	155	150	96 LB	in	22	16	11.25	24	31	31	31	31	31	31	31	26	29	28	28	32.5	17	
	m	93	62	47	46	44 KG	mm	559	406	286	610	787	787	787	787	787	787	787	660	737	711	711	826	432	
3900-31-20	ft	365	275	200	190	100 LB	in	26	20	11.25	24	31	31	31	31	31	31	31	30	33	32	32	32.5	17	
	m	111	84	61	58	45 KG	mm	660	508	286	610	787	787	787	787	787	787	787	762	838	813	813	826	432	

Refer to page 4 to build a complete model number.

Heavy Duty Large Frame Reels

Nordic Series 3900 LPG

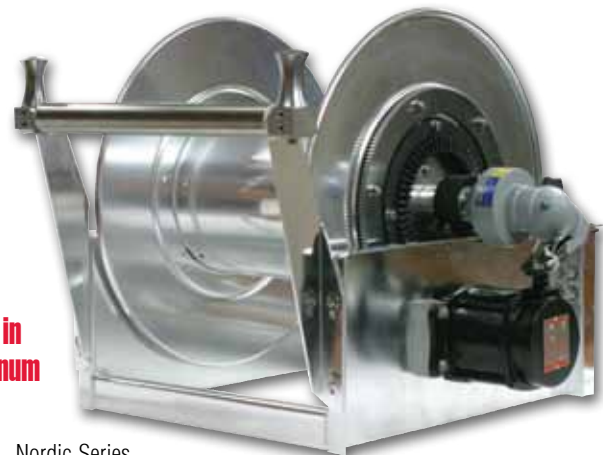
1½" or 2" Fluid Path for 1" through 2" I.D. Hose

Rewind: Gear-drive or chain and sprocket drive powered by explosion proof A.C. or D.C. electric motor, compressed air motor or hydraulic motor.

Inlet: Full Circle® UL approved swivels available in 1", 1½" and 2" as standard.

Hose Boss (optional accessory)

The Hose Boss Rewind Assist consists of a rewind switch mounted in an extended arm with two hose rollers. Assists in efficiently and safely unwinding and rewinding hose.



Nordic Series
3900 LPG

Made in USA

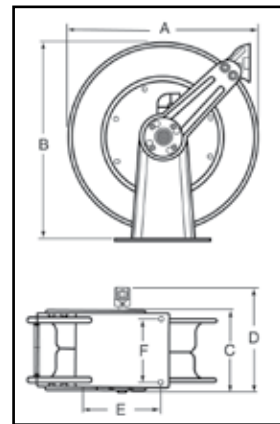
Heavy Duty Spring Retractable Reels

Series 80000/D80000 - ½", ¾", 1" I.D.



Hose not included

Series 80000
Carbon steel
With Full Circle®
swivel



OPTIONS

Choose a reel model from the chart below, then use the suffix codes below to choose a flange/ end plate material.

LP82000 OL

Flange/End Plate Material	
S	Stainless Steel
P	Carbon Steel

Model	Hose I.D.		Hose O.D.		Capacity		Pressure		Weight		A		B		D		E		F	
	in	mm	in	mm	ft	m	psi	bar	lbs	kg	in	mm	in	mm	in	mm	in	mm	in	mm
Series 80000 / D80000: Spring Driven Reels																				
LP82000 OL <input type="checkbox"/> *	1/2	13	.845	21	100	30	300	21	82	37	24	610	25 3/8	645	15	381	10	254	6	152
LP83000 OL <input type="checkbox"/> *	3/4	19	1.188	30	50	15	500	35	82	37	24	610	25 3/8	645	15	381	10	254	6	152
LPD83000 OL <input type="checkbox"/> *	3/4	19	1.188	30	75	23	500	35	77	35	24	610	25 3/8	645	16 3/8	416	10 1/2	267	7 7/8	200
LPD84000 OL <input type="checkbox"/> *	1	25	1.500	38	50	15	500	35	77	35	24	610	25 3/8	645	16 3/8	416	10 1/2	267	7 7/8	200

*Choose flange/end plate material from charts above. Refer to page 13 for dimension chart.

Hose I.D.	in	1	1 1/4	1 1/2	2	Specification - Hose Capacity and Reel Dimensions Refer to chart on page 31 for Series 3900 LPG dimensions.										
	mm	25	32	38	51											
Hose O.D.	in	1.563	1.813	2.063	2.563											
	mm	40	46	52	65											
Model	Hose Length					Est. Weight	A	B	C	D	E	F	G	H		
3900-19-20*	ft	75	70	55		103 LB	in	26	20	11.25	21	21	33	22.5	13	
	m	23	21	17		47 KG	mm	660	508	286	533	533	838	572	330	
3900-23-16*	ft	125	90	75		100 LB	in	22	16	11.25	21	23	29	24.5	13	
	m	38	27	23		45 KG	mm	559	406	286	533	584	737	622	330	
3900-23-20*	ft	160	125	100		105 LB	in	26	20	11.25	21	23	33	24.5	13	
	m	49	38	30		48 KG	mm	660	508	286	533	584	838	622	330	
3900-23-24*	ft	200	150	125		110 LB	in	30	24	11.25	21	23	37	24.5	13	
	m	61	46	38		50 KG	mm	762	610	286	533	584	940	622	330	
3900-25-14*	ft	150	100	65		102 LB	in	20	14	11.25	21	25	27	26.5	14	
	m	46	30	20		46 KG	mm	508	356	286	533	635	686	673	356	
3900-25-18*	ft	200	150	80		105 LB	in	24	18	11.25	21	25	31	26.5	14	
	m	61	46	24		48 KG	mm	610	457	286	533	635	787	673	356	
3900-23-26*	ft			90	35	112 LB	in	32	26	15	21	23	39	24.5	13	
	m			27	11	51 LG	mm	813	660	381	533	584	991	622	330	
3900-31-12*	ft			90	50	102 LB	in	18	12	15	24	31	25	32.5	17	
	m			27	15	46 KG	mm	457	305	381	610	787	635	826	432	
3900-31-22*	ft			185	110	115 LB	in	28	22	15	24	31	35	32.5	17	
	m			56	34	52 KG	mm	711	559	381	610	787	889	826	432	

*Refer to page 4 to build a complete model number including LPG swivel. Refer to charts on page 7 for dimensions.

Heavy Duty Large Frame Reels Nordic Series 3700 & 5900

2", 3" or 4" Fluid Path for 1½" through 4" I.D. Hose

Rewind: Gear-drive crank rewind or chain and sprocket drive powered by A.C. or D.C. electric motor, compressed air motor or hydraulic motor.

Inlet: 2" (Series 3700) / 3" (Series 5900) straight victaulic is standard. 4" (Series 5900) 90° victaulic and 24" diameter drum is standard. 90° victaulic swivel joint available at extra cost.

Gooseneck: 2" (Series 3700) / 3" (Series 5900) / 4" (Series 5900) female NPT. Other sizes and/or threads can be furnished and must be specified.

Series 5900 product temperatures from -50° F to +400° F and standard pressures to 300 p.s.i. Series 3700 standard seals maximum temperature 174° F (79° C) and minimum temperature -20° F (-29° C). Extreme temperature seals maximum temperature 400° F (204° C) and minimum temperature -50° F (-45° C).



Series 3700 and 5900 are shown with optional bevel crank.



Nordic Series 3700



Nordic Series 5900

**1/2" pitch chain
now standard**

Standard pressures to 300 PSI Other temperatures or pressures can be furnished at extra cost, consult manufacturer. The standard color for this series is red or gray. ADD 12" to E dimension when crank is in rewind position.

Hose I.D.	in mm	Hose Length				Est. Weight	A	B	C	D	Specification - Hose Capacity and Reel Dimensions											
		1 1/2	2	2 1/2	3						4	KEY: CRK = hand crank; ELC = electric motor; HYD = hydraulic motor; AIR = air moter	CRK	ELC	AIR	HYD	F CRK	F ELC	F AIR	F HYD	G	H
3700-23-20	ft	65	25			114 LB	in	26	20	15	21	23	23	23	30	33	32	32	24.5	13		
	m	20	8			52 KG	mm	660	508	381	533	584	584	584	762	838	813	813	622	330		
3700-25-20	ft	65	55			124 LB	in	26	20	15	21	25	25	25	30	33	32	32	26.5	14		
	m	20	17			56 KG	mm	660	508	381	533	635	635	635	762	838	813	813	673	356		
3700-25-24	ft	80	65			128 LB	in	30	24	15	21	25	25	25	34	37	36	36	26.5	14		
	m	24	20			58 KG	mm	762	610	381	533	635	635	635	864	940	914	914	673	356		
3700-25-32	ft	115	90			136 LB	in	38	32	15	21	25	25	25	42	45	44	44	26.5	14		
	m	35	27			62 KG	mm	965	813	381	533	635	635	635	1067	1143	1118	1118	673	356		
3700-31-12	ft	90	50			134 LB	in	18	12	15	24	31	31	31	22	25	24	24	32.5	17		
	m	27	15			61 KG	mm	457	305	381	610	787	787	787	559	635	610	610	826	432		
3700-31-20	ft	165	90			142 LB	in	26	20	15	24	31	31	31	30	33	32	32	32.5	17		
	m	50	27			64 KG	mm	660	508	381	610	787	787	787	762	838	813	813	826	432		
3700-31-26	ft	220	125			148 LB	in	32	26	15	31	31	31	31	36	39	38	38	32.5	17		
	m	67	38			67 KG	mm	813	660	381	610	787	787	787	914	991	965	965	826	432		
3700-39-16	ft	225	140			182 LB	in	22	16	15	24	39	39	39	26	29	28	28	40.5	21		
	m	69	43			83 KG	mm	559	406	381	610	991	991	991	660	737	711	711	1029	533		
3700-39-24	ft	350	220			190 LB	in	30	24	15	24	39	39	39	34	37	36	36	40.5	21		
	m	107	67			86 KG	mm	762	610	381	610	991	991	991	864	940	914	914	1029	533		
5900-31-16	ft	55	20	15		140 LB	in	22	16	20	24	31	31	31	26	29	28	28	32.5	17		
	m	17	6	5		64 KG	mm	559	406	508	610	787	787	787	660	737	711	711	826	432		
5900-31-24	ft	85	30	25		150 LB	in	30	24	20	24	31	31	31	34	37	36	36	32.5	17		
	m	26	9	8		68 KG	mm	762	610	508	610	787	787	787	864	940	914	914	826	432		
5900-31-32	ft	120	45	35		160 LB	in	38	32	20	24	31	31	31	42	45	44	44	32.5	17		
	m	37	14	11		73 KG	mm	965	813	508	610	787	787	787	1067	1143	1118	1118	826	432		
5900-36-12	ft	60	30	30		146 LB	in	18	12	20	24	36	36	36	25	24	24	24	37.5	21		
	m	18	9	9		66 KG	mm	457	305	508	610	914	914	914	559	635	610	610	953	533		
5900-36-16	ft	90	50	40	12	150 LB	in	22	16	20	24	36	36	36	26	29	28	28	37.5	21		
	m	27	15	12	4	68 KG	mm	559	406	508	610	914	914	914	660	737	711	711	953	533		
5900-39-12	ft	90	50	35	15	180 LB	in	18	12	20	24	39	39	39	22	25	24	24	40.5	21		
	m	27	15	11	5	82 KG	mm	457	305	508	610	991	991	991	559	635	610	610	1029	533		
5900-39-16	ft	135	80	50	15	200 LB	in	22	16	20	24	39	39	39	26	29	28	28	40.5	21		
	m	41	24	15	5	91 KG	mm	559	406	508	610	991	991	991	660	737	711	711	1029	533		
5900-39-24	ft	200	120	65	25	210 LB	in	30	24	20	24	39	39	39	34	37	36	36	40.5	21		
	m	61	37	20	8	95 KG	mm	762	610	508	610	991	991	991	864	940	914	914	1029	533		

Refer to page 4 to build a complete model number. Refer to diagram on page 7 for dimension key.

Heavy Duty Large Frame Reels

Petroleum Service

1½" or 2" Fluid Path for 1¼" through 2" I.D. Hose

Rewind: Chain and sprocket drive powered by A.C. or D.C. electric motor, compressed air motor or hydraulic motor. 30° manual rewind assembly available at extra cost.

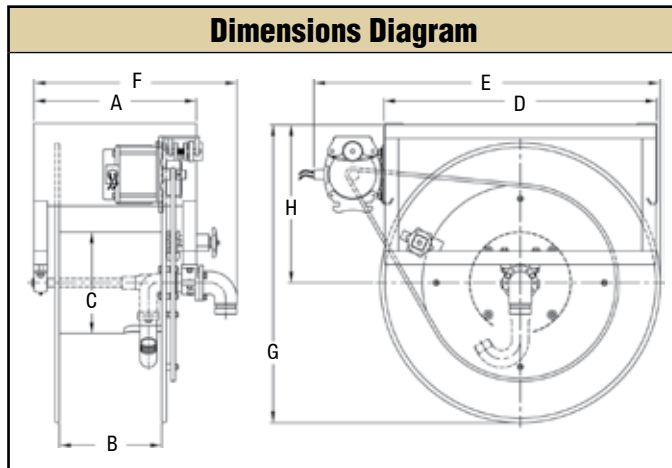
Inlet: 90° 2" victaulic is standard. Straight swivel joints may be specified at no extra cost.

Gooseneck: 1¼", 1½" or 2" female/male NPT is available. Specify male or female fitting and hose size when ordering.

Brakes and locks: Manual friction brake and air operated caliper brake are standard.



Dimensions Diagram



Made in USA 

Standard seals maximum temperature 174° F (79° C) and minimum temperature -20° F (-29° C). Extreme temperature seals maximum temperature 400° F (204° C) and minimum temperature -50° F (-45° C). Standard pressures to 300 PSI. Other temperatures or pressures can be furnished at extra cost; consult manufacturer. The standard color for this series is red or gray.

Hose I.D.	in	1 1/4	1 3/8	1 1/2	2	Specification - Hose Capacity and Reel Dimensions									
Hose O.D.	mm	32	35	38	51										
	in	1.813	2.000	2.063	2.563										
	mm	46	51	52	65										
Model	Hose Length				Est. Weight	A	B	C	D	E	F	G	H		
3800-31-10	ft	130	90	80	174 LB	in	16	10	11.25	30	38.5	20.25	33	17.5	
	m	40	27	24	79 KG	mm	406	254	286	762	978	514	838	445	
3800-31-12	ft	155	115	105	176 LB	in	18	12	11.25	30	38.5	22.25	33	17.5	
	m	47	35	32	80 KG	mm	457	305	286	762	978	565	838	445	
3800-31-16	ft	205	155	150	180 LB	in	22	16	11.25	30	38.5	26.25	33	17.5	
	m	62	47	46	82 KG	mm	559	406	286	762	978	667	838	445	
3800-39-7	ft	120	100	85	212 LB	in	13	17	11.25	32	43.5	17.25	41	21.5	
	m	37	30	26	96 KG	mm	330	432	286	813	1105	438	1041	546	
3800-39-9	ft	150	135	120	214 LB	in	15	9	11.25	32	43.5	19.25	41	21.5	
	m	46	41	37	97 KG	mm	381	229	286	813	1105	489	1041	546	
3800-39-11	ft	220	170	155	216 LB	in	17	11	11.25	32	43.5	21.25	41	21.5	
	m	67	52	47	98 KG	mm	432	279	286	813	1105	540	1041	546	
3800-31-13	ft	120	110	105	178 LB	in	19	13	15	30	38.5	24.5	33	17.5	
	m	37	34	32	81 KG	mm	483	330	381	762	978	622	838	445	
3800-39-12	ft	225	180	160	218 LB	in	18	12	15	32	43.5	23.5	41	21.5	
	m	69	55	49	99 KG	mm	457	305	381	813	1105	597	1041	546	
3800-39-16	ft	305	245	225	224 LB	in	22	16	15	32	43.5	27.5	41	21.5	
	m	93	75	69	102 KG	mm	559	406	381	813	1105	699	1041	546	

Refer to page 4 to build a complete model number.

Heavy Duty Single Wrap Reels Petroleum / Aviation Fuel Service

1½", 2" or 3" Fluid Path for 1" through 3" I.D. Hose

Rewind: Chain and sprocket drive powered by A.C. or D.C. electric motor, compressed air motor or hydraulic motor.

Inlet: 2" victaulic is standard for 1" through 2" ID hose. 3" victaulic is standard for 2½" and 3" ID hose. 1½", 2" and 3" NPT or BSPP available. 90° Inlets available.

Gooseneck: 1½", 2" and 3" NPT or BSPP. Specify male or female threads for gooseneck.

Brakes and locks: Air operated caliper brake and idler assembly is standard. Manual friction brake optional.

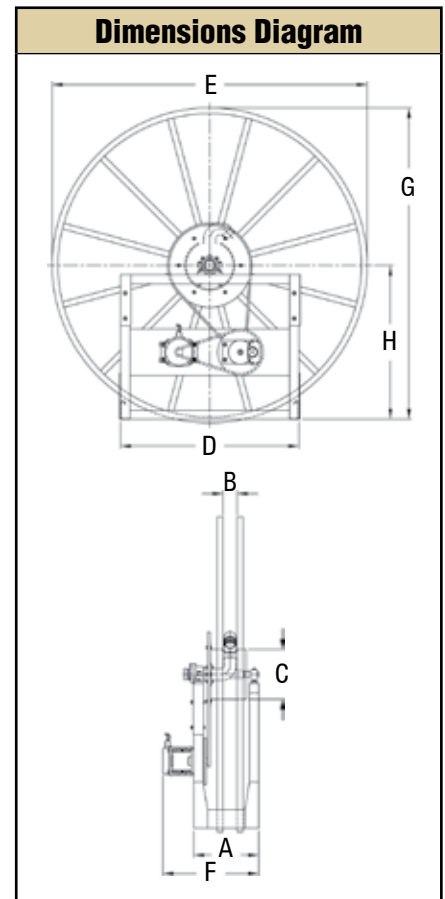
Materials: Standard frame and spool assembly are of heavy duty steel construction. Also available in aluminum. The standard color for this series is red or gray.

Operating pressure: 300 PSI maximum. Reels to operate at other pressure ratings available at extra cost. Consult manufacturer.

Operating temperatures: Maximum 400°F (204°C) / minimum -50°F (-46°C). Reels that are to operate at other temperatures ratings are available at extra cost, consult manufacturer.



Hose I.D.	in	1 3/8	1 1/2	2	2 1/2	3					
	mm	35	38	51	64	76					
Hose O.D.	in	2.000	2.063	2.563	3.063	3.750					
	mm	51	52	65	81	95					
Model	Hose Length						D	E	G	H	
6000-47	ft	55	50	30	25	20	in	38.5	47	48.5	25
	m	17	15	9	8	6	mm	978	1194	1232	635
6000-55	ft	80	75	50	40	35	in	38.5	55	55.75	28.25
	m	24	23	15	12	11	mm	978	1397	1416	718
6000-62	ft	100	100	70	50	50	in	38.5	62	62.75	31.75
	m	30	30	21	15	15	mm	978	1575	1594	806
6000-68	ft	125	120	85	70	60	in	38.5	68	68.75	34.75
	m	38	37	26	21	18	mm	978	1727	1746	883
6000-72	ft	150	140	100	80	70	in	38.5	72	72.75	36.75
	m	46	43	30	24	21	mm	978	1829	1848	933



Hose I.D.	Dimensions							
	A		B		C*		F	
	in	mm	in	mm	in	mm	in	mm
1 3/8"	12	305	2.5	64	18	457	18.5	470
1 1/2"	12	305	2.5	64	18	457	18.5	470
2"	12	305	3.5	89	24	610	18.5	470
2 1/2"	13	330	3.5	89	24	610	19.5	495
3"	14	356	4.5	114	24	610	20.5	521

*Drum diameter conforms to API 1529 Appendix A.

North America and Corporate Headquarters

2842 E. Business Hwy 30
Columbia City, IN 46725
Ph: 800-444-3134 • Fax: 800-444-4587
Ph: 260-248-8188 • Fax: 260-248-2605
reelcraft@reelcraft.com
www.reelcraft.com

Latin America and the Middle East

Thompson International, Inc.
P.O. Box 12958, Ft. Wayne, IN 46866
Ph: 260-489-1685 • Fax: 260-489-0203
info@t-i-i.com
www.reelcraft.com/latinamerica

China

Reelcraft Changzhou Co., Ltd.
Building C, No. 229 HeHai West Road
Changzhou, Jiangsu, China 213022
Ph: +86 (519) 8512 2391 ext. 8002
Fax: +86 (519) 8512 9309
rco@reelcraftchina.com
www.reelcraft.com/china

Europe

Unit 17 • Cronin Courtyard
Weldon South Industrial Estate
Corby • Northamptonshire NN18 8AG United Kingdom
Ph: +44 (0) 1536 406999
Fax: +44 (0) 1536 406777
europe@reelcraft.com
www.reelcraft.com/europe

Pacific Rim

P.O. Box 53776, Clark Freeport Zone
Philippines 2023
Ph: +63 (45) 625-6624
Fax: +63 (45) 321-0643
rap@comclark.com
www.reelcraft.com/asia

Australia

PO Box 6463 BC, Blacktown
NSW 2148, Australia
Ph: +61 (2) 9621 8988
Fax: +61 (2) 9621 7688
sales@recoila.com
www.reelcraft.com