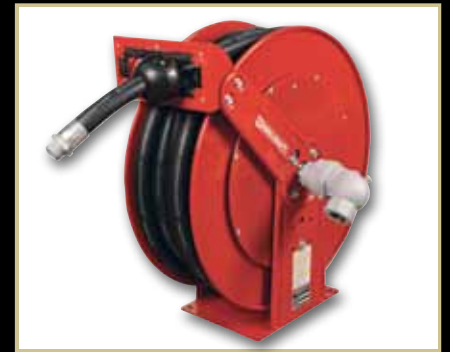


# LPG Reels



reelcraft.com

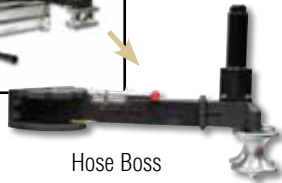


**REELCRAFT**®

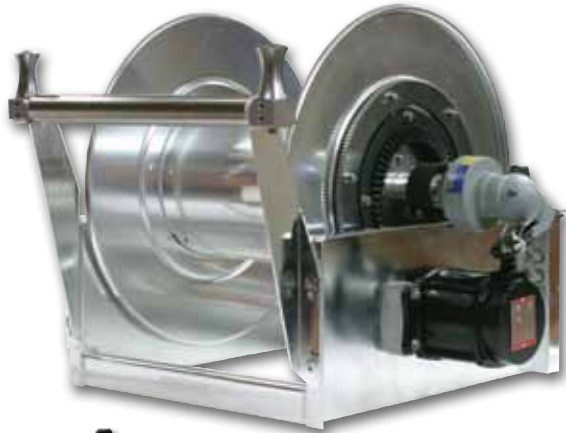
## Polished Aluminum

Nordic Series  
3900 LPG

**Inset:** Nordic Series 3900  
LPG with optional Hose Boss



Hose Boss



Optional bottom wind  
three way hose roller  
guide also available.

## Aluminum Series 3900 LPG

**Rewind:** Gear-drive or chain and sprocket drive powered by explosion proof A.C. or D.C. electric motor, compressed air motor or hydraulic motor.

- Full Circle® UL approved swivels.
- Shown with optional direct gear drive for maximum reliability and reduced downtime.
- Shown with Top Wind Three Way Hose Roller Guide (optional).
- The Hose Boss (optional) consists of a rewind switch mounted in an extended arm with two hose rollers. Assists in efficiently and safely unwinding and rewinding hose.
- Heavy duty aluminum construction is light-weight and corrosion resistant.

## Steel Series 3900 LPG

**Rewind:** Gear-drive or chain and sprocket drive powered by explosion proof A.C. or D.C. electric motor, compressed air motor or hydraulic motor.

- Heavy gauge steel construction for maximum durability and long service life.
- Baked on powder coat finish is applied in component form for maximum coverage and corrosion resistance.
- Shown with optional direct gear drive for maximum reliability and reduced downtime. Heavy gauge ANSI #40 (1/2" pitch) chain drive is standard.
- Full Circle® UL approved swivels.
- Shown with optional top wind three way hose roller guide and explosion proof operating switch.



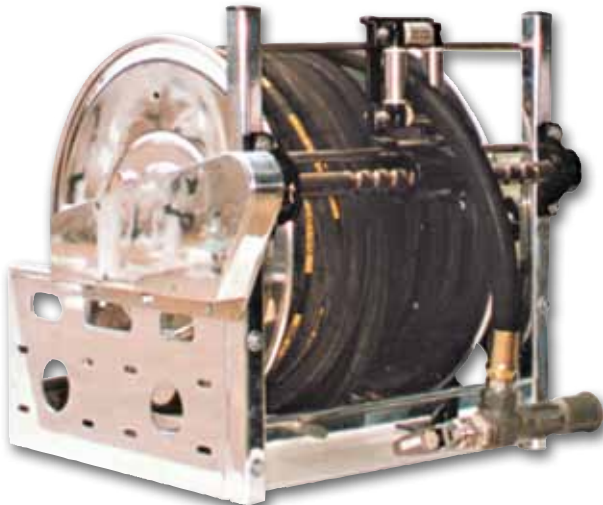
## Steel Constructed

Nordic Series  
3900 LPG

Optional bottom wind  
three way hose roller  
guide also available.

## Level Rewind

Nordic Series  
3900 LPG



## Level Rewind Optional Accessory

The level rewind system assists the hose onto the drum by using a traversing guide. The level rewind system aids in proper storage and maintenance of the hose. Contact Reelcraft for all available LPG reel optional accessories.

**NOTE:** Hose and nozzle not included.

# Liquid Propane Reels

Drive Options	Series	Head Dia.	Drum Length	Thread Size	Thread Type	Thread Style	Fluid Path Material	Pressure	Inlet Style	Fluid Path Location/Direction	Color Code
EP *12 VDC Exp	3900	19	6"-36" in 2" increments	10 1"	FF Female In/Out	NP NPT	A Aluminum D Ductile Iron S Stainless	LP 0-600	5 1" LPG 6 1½" LPG	1 Left Hand Top Wind	R Red
EA *115 VAC Exp		21		12 1 1/4"						2 Left Hand Bottom Wind	B Black
EJ *24 VDC Exp		23		15 1 1/2"						3 Right Hand Top Wind	W White
HD Hydraulic		25		4 Right Hand Bottom Wind						G Grey	
AF 1½ HP Air	28									S Silver	
AR 4 HP Air	31										
BC Bevel Crank	36										
HC Hand Crank	39										
*Exp=Explosion proof motor	46										
<b>Material Options/Drive Size</b>											
1/2" Pitch Chain	###5										
Gear Driven	###9										
Alum. Frame/Spool	##5#										

Additional options are available. **NOTE:** Not all options available in every combination. Please contact manufacturer for price and availability.

**Part No. Example: EP3905-23-20-10FFNPALP51-G**

## Series 80000 / D80000 - 1/2", 3/4", 1" I.D. Hose

- Full Circle® UL approved swivels.
- Stainless or powder coated steel construction.
- Dual pedestal and guide arm support for structural strength.
- Two sealed ball bearings for smooth rotation on main shaft.



Series 80000  
Carbon Steel  
Hose not included

Series 80000  
Stainless Steel  
Hose not included

**OPTIONS**

Choose a reel model from the chart below, then use the suffix codes below to choose a flange/end plate material.

LP82000 OL

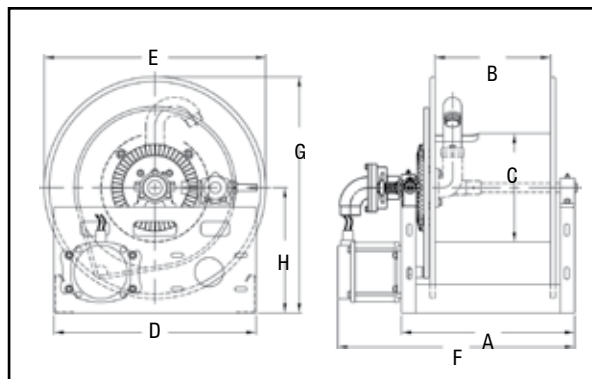
Flange/End Plate Material	
S	Stainless Steel
P	Carbon Steel

MODEL	HOSE I.D.	HOSE O.D.	CAPACITY	PRESSURE	WEIGHT
	in / mm	in / mm	ft / m	psi / bar	lbs / kg
<b>SERIES 80000 / D80000: SPRING DRIVEN REELS</b>					
LP82000 OL <input type="checkbox"/> *	1/2 13	.845 21	100 30	300 21	82 37
LP83000 OL <input type="checkbox"/> *	3/4 19	1.188 30	50 15	500 35	82 37
LPD83000 OL <input type="checkbox"/> *	3/4 19	1.188 30	75 23	500 35	77 35
LPD84000 OL <input type="checkbox"/> *	1 25	1.500 38	50 15	500 35	77 35

\*Choose flange/end plate material from chart above.

HOSE I.D.	in	1	1 1/4	1 1/2	2
	mm	25	32	38	51
HOSE O.D.	in	1.563	1.813	2.063	2.563
	mm	46	46	52	65

## Nordic Series 3900 Dimensions



MODEL	HOSE LENGTH				Est. Weight	A	B	C	D	E	F	G	H	
3905-19-20*	ft	75	70	55	103 LB	in	26	20	11.25	21	21	33	22.5	13
	m	23	21	17	47 KG	mm	660	508	286	533	533	838	572	330
3905-23-16*	ft	125	90	75	100 LB	in	22	16	11.25	21	23	29	24.5	13
	m	38	27	23	45 KG	mm	559	406	286	533	584	737	622	330
3905-23-20*	ft	160	125	100	105 LB	in	26	20	11.25	21	23	33	24.5	13
	m	49	38	30	48 KG	mm	660	508	286	533	584	838	622	330
3905-23-24*	ft	200	150	125	110 LB	in	30	24	11.25	21	23	37	24.5	13
	m	61	46	38	50 KG	mm	762	610	286	533	584	940	622	330
3905-25-14*	ft	150	100	65	102 LB	in	20	14	11.25	21	25	27	26.5	14
	m	46	30	20	46 KG	mm	508	356	286	533	635	686	673	356
3905-25-18*	ft	200	150	80	105 LB	in	24	18	11.25	21	25	31	26.5	14
	m	61	46	24	48 KG	mm	610	457	286	533	635	787	673	356
3905-23-26*	ft			90	112 LB	in	32	26	15	21	23	39	24.5	13
	m			27	51 LG	mm	813	660	381	533	584	991	622	330
3905-31-12*	ft			90	102 LB	in	18	12	15	24	31	25	32.5	17
	m			27	46 KG	mm	457	305	381	610	787	635	826	432
3905-31-22*	ft			185	115 LB	in	28	22	15	24	31	35	32.5	17
	m			56	52 KG	mm	711	559	381	610	787	889	826	432

\*Choose options from chart above. \*\*F dimension is for electric motor models only.

## North America and Corporate Headquarters

2842 E. Business Hwy 30  
Columbia City, IN 46725  
Ph: 800-444-3134 • Fax: 800-444-4587  
Ph: 260-248-8188 • Fax: 260-248-2605  
reelcraft@reelcraft.com  
[www.reelcraft.com](http://www.reelcraft.com)

## Latin America and the Middle East

Thompson International, Inc.  
P.O. Box 12958, Ft. Wayne, IN 46866  
Ph: 260-489-1685 • Fax: 260-489-0203  
info@t-i-i.com  
[www.reelcraft.com/latinamerica](http://www.reelcraft.com/latinamerica)

## China

Reelcraft Changzhou Co., Ltd.  
Building C, No. 229 HeHai West Road  
Changzhou, Jiangsu, China 213022  
Ph: +86 (519) 8512 2391 ext. 8002  
Fax: +86 (519) 8512 9309  
rco@reelcraftchina.com  
[www.reelcraft.com/china](http://www.reelcraft.com/china)

## Europe

Unit 17 • Cronin Courtyard  
Weldon South Industrial Estate  
Corby • Northamptonshire NN18 8AG United Kingdom  
Ph: +44 (0) 1536 406999  
Fax: +44 (0) 1536 406777  
europe@reelcraft.com  
[www.reelcraft.com/europe](http://www.reelcraft.com/europe)

## Pacific Rim

P.O. Box 53776, Clark Freeport Zone  
Philippines 2023  
Ph: +63 (45) 625-6624  
Fax: +63 (45) 321-0643  
rap@comclark.com  
[www.reelcraft.com/asia](http://www.reelcraft.com/asia)

## Australia

PO Box 6463 BC, Blacktown  
NSW 2148, Australia  
Ph: +61 (2) 9621 8988  
Fax: +61 (2) 9621 7688  
sales@recoila.com  
[www.reelcraft.com](http://www.reelcraft.com)