

# HUSKY PRESSURE/VACUUM VENT VENT CAP FOR UST

**Model 4620, 4885 & 5885 have three separate valves that address pressure / vacuum conditions in underground storage tanks (UST).**

- Husky pressure/ vacuum (P/V) vents incorporate three separate valves to control over-pressure and vacuum conditions that arise in storage tanks. The three valve system provides the necessary protection and durability needed in a UST vent cap.
- The vacuum valve is diaphragm operated and provides 10 times more sealing force than gravity devices. It consistently opens at 6" - 10" of water column (WC) vacuum.
- The first over-pressure valve is diaphragm operated, giving 10 times more sealing force than gravity devices. It opens at 2.5" - 6" WC pressure.
- The safety over-pressure valve is designed to handle high pressure / high flow conditions. This valve will vent up to 7900 SCFH at 2 psi.

- Model 4885 is certified to less than 1/3 of the new CARB EVR Standard CP-201 which allows installation of 3 P/V Vents maximum. Reduces installation time by not having to manifold the vent pipes together.

- Models 4885 and 5885 (threaded) vent caps are easily installed by using the cast-on hex nut. Allows tightening without having to go between vent pipes.

- Model 4620 (slip-on) vent cap, which has the same features as Model 4885, has a main pliable seal that seals to the vent stack and provides leakproof protection. The seal is at the end of the vent stack, not on the threads. Four (4) stainless steel set screws grip the vent stack preventing any loosening of the seal.

- Model 5885 also has the same features of Model 4885, as well as an internal screen to protect the pressure plate in the event of a bad bulk drop.

## SPECIFYING INFORMATION

Model Number	Description	Weight Lbs. (kg.)
4620	2" Slip-On Pressure Vent Cap	1.2 (.54)
*4885	2" Thread-On Pressure Vent Cap	1.2 (.54)
**5885	2" Thread-On Pressure Vent Cap With Internal Screen	1.2 (.54)

## CONSTRUCTION

Body	Aluminum
Screen	40 Mesh Stainless Steel
Internal Screen (part #5885)	40 Mesh Stainless Steel
Set Screws	Stainless Steel
Deflector	Aluminum

## PATENTS AND LISTINGS

U.L. C.A.R.B.  
 \*EVR E.O. VR-101, VR-102, VR-103, VR-104, VR-105  
 \*\*CARB EVR E.O. Listings Pending  
 Patent 5,957,157

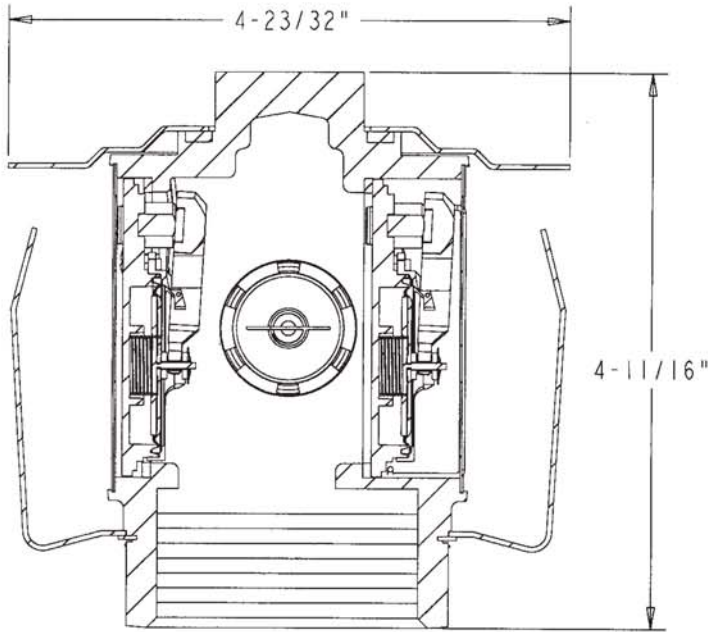


Model 4885 shown

# HUSKY PRESSURE/VACUUM VENT

## VENT CAP FOR UST

- ACCESSORIES
- FEATURES
- DIMENSIONS



3" Water Pressure Valve Shown Open

ADAPTER	Model No.	Description
	5041	3" Thread to 2" Thread Pipe Adapter

TESTING	Model No.	Description
	5426	Pressure/Vacuum Vent Test Adaptor (for threaded and slip-on units)

