

HUSKY SAFE-T-BREAK® VALVES

FOR STANDARD FUELING APPLICATIONS

CONVENTIONAL FUELING

All Husky Safe-T-Breaks® stop the flow of fuel on both sides of the separation.

All Husky Safe-T-Breaks® have passed the demanding U.L. test requirements on separations without leaking or failing.

Husky Model 3360 Reconnectable Safe-T-Break®

- Model 3360 is reconnectable and retains U.L. listing after reconnecting.
- Unit features unusual interface between a pre-loaded spring and a single turn wave spring that enables valve to resist sudden pressure build-up in hose and resultant nuisance separations.
- Unit separates at less than 200 lbs. pull force, which minimizes "backlash" force of separation, reducing damage to equipment.



Model 3360

Husky Model 2273 Non-Reconnectable Safe-T-Break®

- Model 2273 is light-weight, inexpensive and disposable.
- Features same instant-closing dual poppet check valve design as the Model 3360.
- Maximum separation 300 lbs. pull force.



Model 2273

Husky Model 6130 Non-Reconnectable Safe-T-Break®

- Model 6130 has an internal pressure balancing chamber that prevents "line shock" nuisance separations.
- Maximum separation 225 lbs. pull force.



Model 6130

SPECIFYING INFORMATION

Model Number	Description	Length In. (cm.)	Weight Lbs. (kg.)
3360	3/4" F x 3/4" F Reconnectable	4.62 (11.7)	.53 (.24)
2273	3/4" F x 3/4" F Non-reconnectable	3.43 (8.7)	.69 (.31)
6130	3/4" F x 3/4" F Non-reconnectable	4.62 (11.7)	.40 (.18)

CONSTRUCTION


Model 3360	
Body	Aluminum
Seals	Viton® (Fluorocarbon)
Springs	Stainless Steel
Threads	3/4" NPT
Stainless steel load and latch spring reverse mechanism. Hardened stainless steel latch ring and balls.	

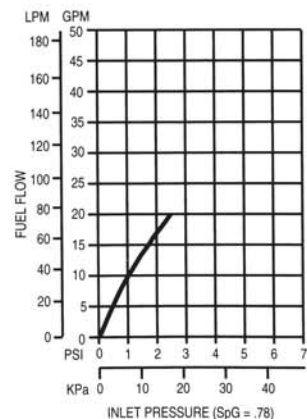
Model 2273	
Body	Zinc alloys to prevent galvanic corrosion.
Threads	3/4" NPT

Model 6130	
Body	Aluminum
Seals	Viton® (Fluorocarbon)
Threads	3/4" NPT
Hardened stainless steel balls.	

PATENTS AND LISTINGS

Patent Numbers: 4,827,977 4,667,883 4,828,183

Listings: 



HUSKY SAFE-T-BREAK® VALVES

FOR STANDARD FUELING APPLICATIONS

- ACCESSORIES
- DIMENSIONS

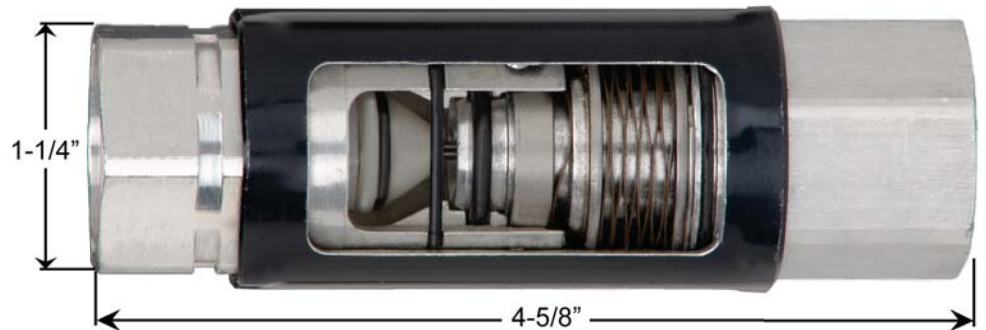
ACCESSORIES

Model No.	Use with	Description
2274	3360, 2273 & 6130	3/4" M x 3/4" M Whip Hose
2275	3360, 2273 & 6130	3/4" M x 3/4" M Whip Hose with Swivel Nut
3096	3360 & 6130	Scuff Guard

Model 2273



Model 3360



Model 6130

