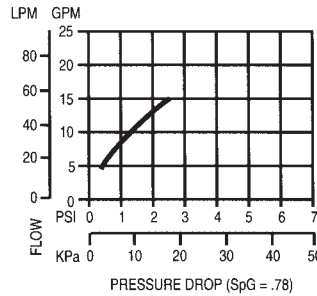


HUSKY SWIVELS

FOR STANDARD FUEL NOZZLES

Husky VI Swivels:

- Multi-plane, full 360° spherical rotation for easy movement of nozzle.
- High flow rate due to laminar flow design.
- Compact and light weight for easy handling.
- Double O-ring seals at each swivel provide long life and low (-40°) temperature performance.
- Compatible with fuels containing alcohol.
- High strength step shoulder bearing diameters and impact absorbing stops.



SPECIFYING INFORMATION

Model Number	Model Lbs. (kg.)	Description	Weight
VI	0350	Multi-plane 3/4"M x 3/4"F	.43 (.20)
VI	0352	Multi-plane 1"M x 3/4"F	.43 (.20)
VI	0355	Multi-plane 3/4"M x 3/4"F (Black body)	.43 (.20)
VI	0356	Multi-plane 1"M x 3/4"F (Black body)	.43 (.20)
VI -90	2272	90° Pump Swivel 3/4"M x 3/4"F	.35 (.16)

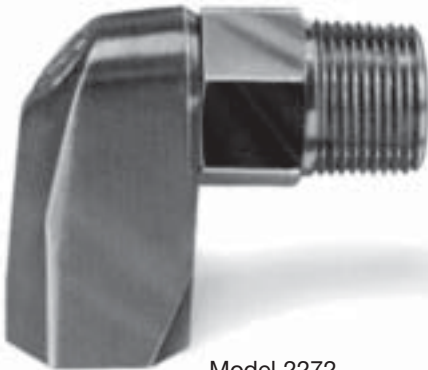
CONSTRUCTION

Body	High Aluminum Zinc Alloy
Inner O-ring	Fluorosilicone
Outer O-ring	Viton® (Fluorocarbon)
Threads	3/4" NPT, BSP

PATENTS AND LISTINGS

Patent Nos.	4,615,547 D268612 48,133 (Canada)
Listings	US LISTED

Viton® is a registered trademark of DuPont Dow Elastomers.



Model 2272



Model 0355
Black



Model 0350

CONVENTIONAL FUELING

HUSKY SWIVELS

FOR STANDARD FUEL NOZZLES

