

PRESSURE ACTIVATED AUTOMATIC NOZZLE

Husky X Nozzle:

- Pressure activated nozzle for self-service, full service and unattended stations.
- Nozzle comes with smooth Full Grip Guard. Waffle Splash Guard (shown) is optional.
- Husky X nozzle shuts off:
 - when the pump shuts off.
 - when the gas tank is full.
 - when the lever is opened before the pump is turned on.
 - when the leak detector has not completed its test cycle.
- Aluminum reinforced spout bushing keeps spout tip round, and acts as a captive fastener to prevent tip-end sensor damage.

- Standard Flo-Equalizer regulates flow to 10 GPM max.
- Nozzle is equipped with unique Flo-Stop device that shuts off nozzle if it falls from fill tank or raises above the horizontal.
- Optional polysulfide poppet disc seal helps prevent fuel leakage from main seal in extreme cold weather.



Shown with optional Waffle Splash Guard.

SPECIFYING INFORMATION

Model Number	Fuel	Hold-open Clip	Weight Lbs. (kg.)	Thread
159504	Unleaded	yes	2.6 (1.18)	NPT
159508	Unleaded	no	2.6 (1.18)	NPT
159503	Leaded	yes	2.7 (1.22)	NPT
159507	Leaded	no	2.7 (1.22)	NPT
159516	Unleaded	yes	2.6 (1.18)	BSP
159515	Leaded	yes	2.7 (1.22)	BSP
498104 (cold weather)	Unleaded	yes	2.6 (1.18)	NPT
498108 (cold weather)	Unleaded	no	2.6 (1.18)	NPT
498103 (cold weather)	Leaded	yes	2.7 (1.22)	NPT
498107 (cold weather)	Leaded	no	2.7 (1.22)	NPT

CONSTRUCTION

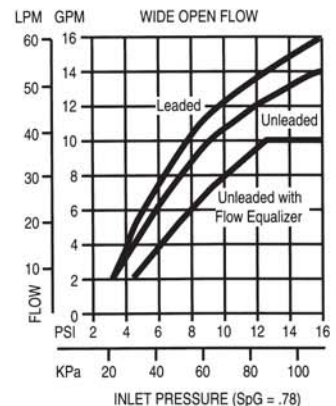
Body	One piece die cast aluminum
Disc	Viton® (Fluorocarbon)
Packing	Double O-ring seal protected by fiber reinforced Teflon
Lever	One piece contoured steel with hard plastic cover
Inlet	3/4" NPT, BSP

Viton® is a registered trademark of DuPont Dow Elastomers.

PATENTS AND LISTINGS

Patent Nos. 4,658,987 4,825,916 301,366

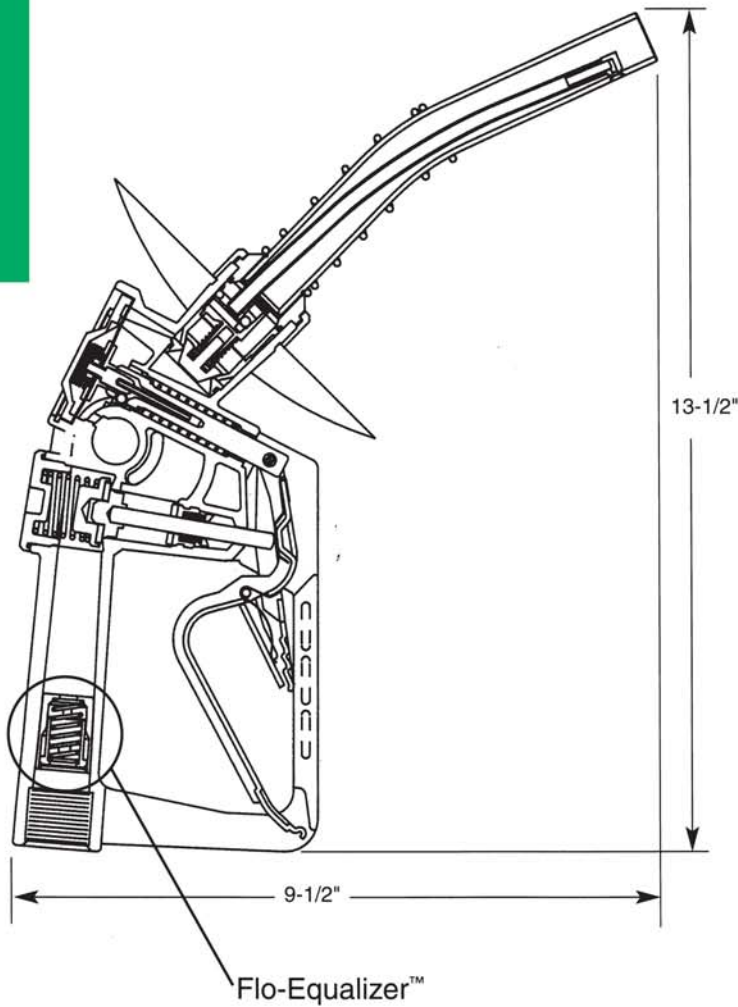
Listings  US LISTED



HUSKY

PRESSURE ACTIVATED AUTOMATIC NOZZLE

- ACCESSORIES
- FEATURES
- DIMENSIONS



SAFE-T-BREAKS®	Model No.	Description
	2273	3/4" F X 3/4" F NPT
	3360	3/4" F X 3/4" F NPT (Reconnectable)

SWIVELS	Model No.	Description
	0350	3/4" M X 3/4" F Multi-plane
	0355	3/4" M X 3/4" F Multi-plane (black body)
	2272	3/4" M X 3/4" F 90° Pump Swivel

SPOUTS	Model No.	Description
	1473	Unleaded
	1471	Leaded

GUARDS	Model No.	Description
	1806	Full Grip ReGuard
	4145	Full Grip Guard (Smooth)
	1808	Waffle Gas Guard
	2573	Clip-on Trigger Cover

GUARD PKGS.	Model No.	Description
	1809	ReGuard Package
	1506	Protection Package

