

HIGHLAND TANK STANDARD EQUIPMENT

1	FLANGED INLET
2	UNDERFLOW BAFFLE
3	SEDIMENT CHAMBER
4	STRIKER PLATE
5	SLUDGE BAFFLE
6	CORELLA™ PARALLEL CORRUGATED PLATE COALESCER
7	PETROSCREEN COALESCER (HTC MODEL ONLY)
8	OUTLET DOWNCOMER PIPE
9	FLANGED OUTLET
10	2" INTERFACE LEVEL SENSOR FITTING WITH EXTENSION PIPE
11	4" OIL PUMPOUT FITTING WITH INTERNAL PIPE EXTENSION PIPE
12	GAUGE PORT
13	18" FLANGED MANWAY AND COVER WITH BOLT ON EXTENSION

HIGHLAND TANK OPTIONAL EQUIPMENT

14	HIGHLAND CB SERIES SOLIDS CATCH BASIN
15	INLET VALVE
16	HIGHLAND GLM SERIES GRADE MANWAY WITH COVER
17	HOLD DOWN STRAPS
18	HIGHLAND CDA SERIES CONCRETE DEADMAN HOLD DOWN ANCHORS
19	HIGHLAND HTF/HTSF SERIES OIL INTERFACE LEVEL SENSOR
20	ALARM CONTROL PANEL
21	MUSHROOM VENTS

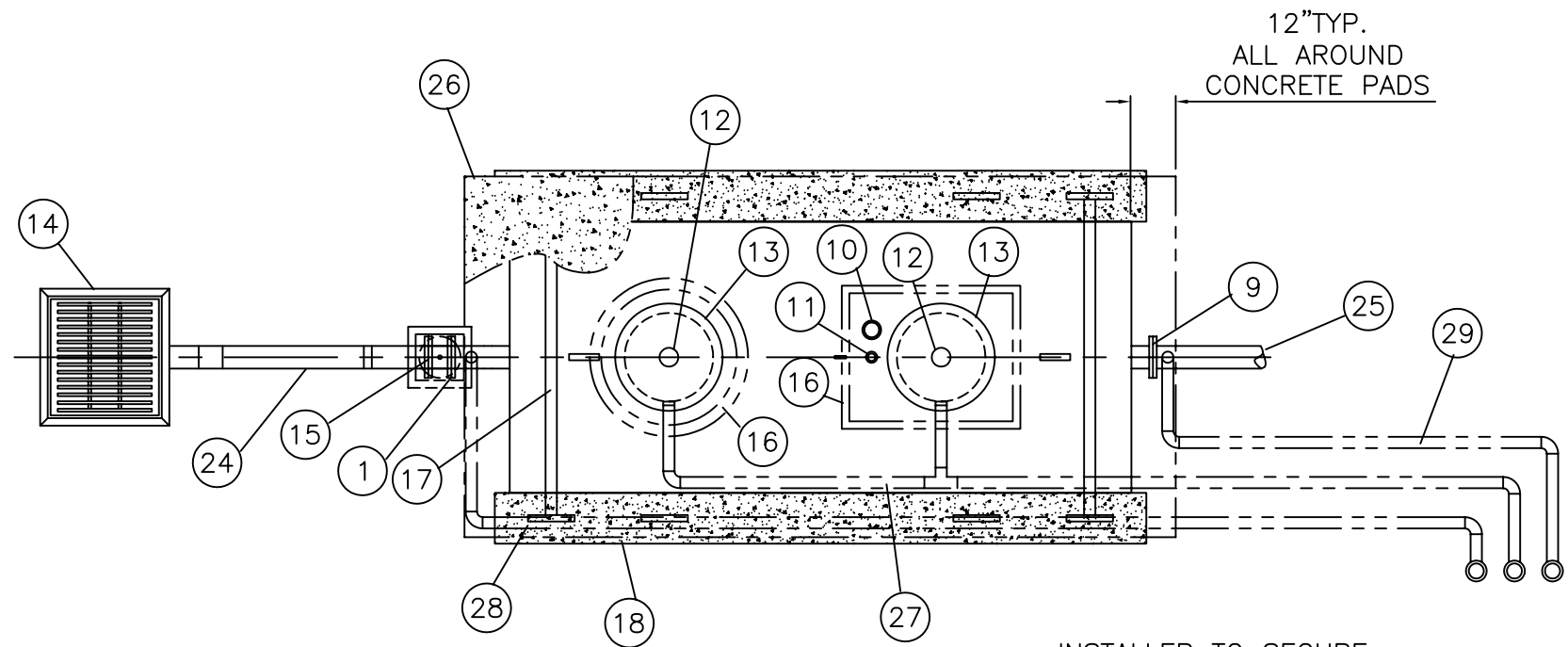
INSTALLER PROVIDED EQUIPMENT

22	CONCRETE GRADE PAD
23	CONCRETE HOLD DOWN PAD
24	INLET PIPING
25	OUTLET PIPING
26	BACKFILL AS REQUIRED
27	MANWAY VENT PIPING
28	INLET VENT PIPING
29	OUTLET VENT PIPING
30	EPOXY COATED STEEL RISER CLAMPS
31	GALVANIZED UNIONS
32	GALVANIZED STEEL VENT PIPES ABOVEGRADE

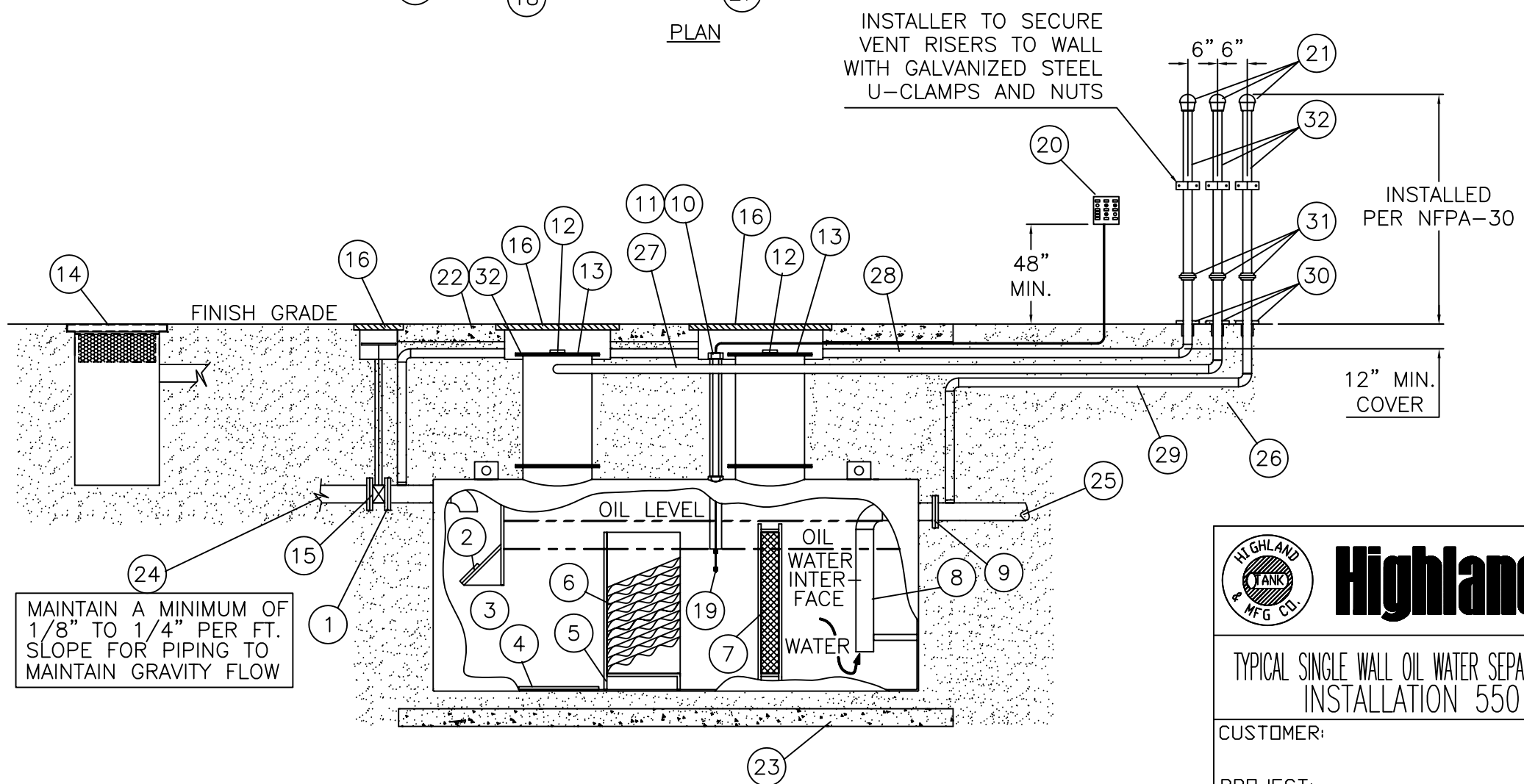
NOTES

1. UNDERGROUND COATING SYSTEM OPTIONS ARE THE HIGHGUARD, ACT-100-U, AND S.T.I.P. 3
2. MANHOLE AND PIPE EXTENSION LENGTHS VARY PER TANK SIZE AND DEPTH
3. LEVEL SENSOR AND OIL PUMPOUT PIPE EXTENSIONS ARE TO EXTEND TO THE SAME ELEVATION AS THE MANWAY EXTENSION
4. ALL VENT PIPES SLOPED TO DRAIN BACK TO SEPARATOR

NOTE: ALL RIGHTS RESERVED. THIS DRAWING MUST NOT BE REPRODUCED IN ANY FORM WITHOUT THE WRITTEN PERMISSION OF HIGHLAND TANK®. HIGHLAND TANK® SHALL BE RESPONSIBLE ONLY FOR ITEMS INDICATED ON THIS FABRICATION DRAWING UNLESS OTHERWISE NOTED. CUSTOMER IS RESPONSIBLE FOR VERIFYING CORRECTNESS OF SIZE AND LOCATION OF FITTINGS, ACCESSORIES, AND COATINGS SHOWN ON THIS DRAWING.



PLAN



ELEVATION

MAINTAIN A MINIMUM OF 1/8" TO 1/4" PER FT. SLOPE FOR PIPING TO MAINTAIN GRAVITY FLOW



TYPICAL SINGLE WALL OIL WATER SEPARATOR INSTALLATION
INSTALLATION 550 GALLON

CUSTOMER:			
PROJECT:			
QUOTE NO:	CHK'D BY:		
SCALE: NTS	DATE:	DWG. BY:	DWG. NO: 5500WSSWUGINST